

# JUN-AIR®

A BRAND OF **GAST**

## Cabinet Systems

106R-4M, 106R-25M, 106R-25MQ2,  
2x106R-40M, 2x106R-40MQ2



6190759 | REV C



\* Registered Trademark/™ Trademark of JUN-AIR Inc. ©Copyright 2024 JUN-AIR Manufacturing Inc. All Rights Reserved.

## Table of Contents

|           |                              |     |
|-----------|------------------------------|-----|
| <b>GB</b> | Operating Manual             | 4   |
| <b>FR</b> | Manuel d'utilisation         | 9   |
| <b>ES</b> | Manual de funcionamiento     | 15  |
| <b>CS</b> | Návod k obsluze              | 21  |
| <b>DA</b> | Betjeningsvejledning         | 27  |
| <b>DE</b> | Betriebsanleitung            | 33  |
| <b>EL</b> | Εγχειρίδιο λειτουργίας       | 39  |
| <b>FI</b> | Käyttöopas                   | 45  |
| <b>IT</b> | Manuale operativo            | 51  |
| <b>NO</b> | Bruksanvisning               | 57  |
| <b>PT</b> | Manual de funcionamento      | 63  |
| <b>RO</b> | Manualul de utilizare        | 69  |
| <b>SV</b> | Användarhandbok              | 75  |
| <b>ZH</b> | 操作手册                         | 81  |
| <b>NL</b> | Bedieningshandleiding        | 87  |
|           | Technical Specifications     | 93  |
|           | Caractéristiques techniques  | 93  |
|           | Especificaciones técnicas    | 93  |
|           | Technické specifikace        | 93  |
|           | Tekniske specifikationer     | 93  |
|           | Technische Daten             | 93  |
|           | Τεχνικές προδιαγραφές        | 93  |
|           | Tekniset tiedot              | 93  |
|           | Specifiche tecniche          | 93  |
|           | Tekniske spesifikasjoner     | 93  |
|           | Especificações técnicas      | 93  |
|           | Specificatii tehnice         | 93  |
|           | Tekniska specifikationer     | 93  |
|           | 技术规格                         | 93  |
|           | Technische specificaties     | 93  |
|           | Diagrams                     | 95  |
|           | Graphiques et schémas        | 95  |
|           | Diagramas                    | 95  |
|           | Schémata                     | 95  |
|           | Diagrammer                   | 95  |
|           | Schemata                     | 95  |
|           | Διαγράμματα                  | 95  |
|           | Kaaviot                      | 95  |
|           | Diagrammi del sistema        | 95  |
|           | Diagrammer                   | 95  |
|           | Diagramas                    | 95  |
|           | Diagrame                     | 95  |
|           | Diagram                      | 95  |
|           | 示意图                          | 95  |
|           | Diagrammen                   | 95  |
|           | Kits                         | 105 |
|           | Kits                         | 105 |
|           | Kits                         | 105 |
|           | Soupravy                     | 105 |
|           | Sæt                          | 105 |
|           | Zubehörsätze                 | 105 |
|           | Ktt                          | 105 |
|           | Sarjat                       | 105 |
|           | Kit                          | 105 |
|           | Sett                         | 105 |
|           | Conjuntos                    | 105 |
|           | Kituri                       | 105 |
|           | Satser                       | 105 |
|           | 套件                           | 105 |
|           | Kits                         | 105 |
|           | Feature Diagrams             | 106 |
|           | Vues éclatées                | 106 |
|           | Diagramas de funciones       | 106 |
|           | Schémata funkci              | 106 |
|           | Funktionsdiagrammer          | 106 |
|           | Funktionsschemata            | 106 |
|           | Διαγράμματα χαρακτηριστικών  | 106 |
|           | Ominaisuuksien kaaviot       | 106 |
|           | Diagrammi del sistema        | 106 |
|           | Funksjonsdiagrammer          | 106 |
|           | Diagramas de características | 106 |
|           | Diagramele funcțiilor        | 106 |
|           | Funktionsdiagram             | 106 |
|           | 功能示意图                        | 106 |
|           | Diagrammen eigenschappen     | 106 |
|           | Symbols                      | 114 |
|           | Symboles                     | 114 |
|           | Simbolos                     | 114 |
|           | Symboly                      | 114 |
|           | Symboler                     | 114 |
|           | Symbole                      | 114 |
|           | Σύμβολα                      | 114 |
|           | Symbolit                     | 114 |
|           | Simboli                      | 114 |
|           | Symboler                     | 114 |
|           | Simbolos                     | 114 |
|           | Simboluri                    | 114 |
|           | Symboler                     | 114 |
|           | 符号                           | 114 |
|           | Symbolen                     | 114 |

## SAFETY

### Important - read this first!

Please read the following information and operating instructions included with this product before use. This information is for your safety and it is important that you follow these instructions. It will also help prevent damage to the product. Failure to operate the unit in accordance with the instructions or using JUN-AIR unauthorized spare parts can cause damage to the unit and could cause serious injury.

SCAN COMPRESSOR MODEL LABEL QR CODE TO VIEW SYSTEM SPECIFICATIONS AND O&M MANUAL AVAILABLE IN OTHER LANGUAGES OR VISIT <https://www.gastmfg.com>.

#### **⚠ IMPORTANT: General instructions for installation**

- If the compressor is not fitted with a supply plug, a circuit breaker must be incorporated in the fixed wiring.
- If this unit is supplied with a three-pin plug, connect with a properly grounded outlet only.

#### **⚠ CAUTION: To reduce risk of electric shock**

- Only authorized service agents should carry out service. Removing parts or attempting repairs can create an electric shock. Refer all servicing to qualified service agents.

#### **⚠ WARNING: To reduce risk of electrocution**

- Do not use this unit with electrical voltages other than stated on the rating plate.
- Always unplug this unit immediately after use and store in a dry place.
- Do not use this product in or near liquid or where it can fall or be pulled into water or other liquids.
- Do not reach for this product if it has fallen into liquid. Unplug immediately.
- This unit is not weatherproof. Never operate outdoors in the rain or in a wet area.

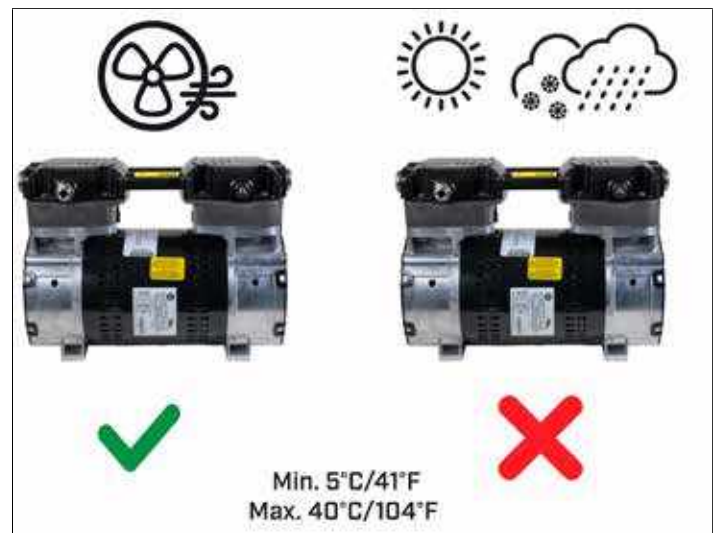
#### **⚠ DANGER: To reduce risk of explosion or fire**

- During spraying with combustible liquids, risk of explosion may arise, particularly in closed rooms.
- Do not use this product in or near explosive atmospheres or where aerosol products are being used.
- Do not pump any other gases other than atmospheric air.
- Do not pump combustible liquids or vapors with this product; do not use it in or near areas with combustible or explosive liquids or vapors.
- Do not use this unit near open flames.

#### **⚠ CAUTION: To prevent injury**

- Compressed air can be dangerous; do not direct airflow at a person's head or body.
- Always keep the system out of reach of children.
- Never operate this product if it has a damaged power lead or plug, if it has been dropped or damaged, or if it has fallen into water. Return the product to a service center for examination and repair.
- Keep the electrical cable away from hot surfaces.
- Ensure all openings are kept free of restriction, and never place the motor on a soft surface where the openings may be blocked. Keep all openings free from dust, dirt and other particles.
- Never leave this product unattended when plugged in.
- Never insert fingers or any other objects into fans.
- This unit is thermally protected and can automatically restart when the overload resets.
- Wear safety glasses, when servicing this product.
- Use only in well ventilated areas.
- This product may only be connected to units or tools with a max. pressure rating higher or equal to that of the compressor.
- The surface of the compressor can get hot. Do not touch compressor motor during operation.

**Failure to observe the safety precautions could result in severe bodily injury, including death in extreme cases.**



#### **⚠ IMPORTANT: General directions for use**

- Protect compressor against rain, moisture, frost and dust.
- The compressor is constructed and approved for a max. pressure as stated under Technical Specifications.
- Do not operate the compressor at ambient temperatures exceeding 40°C/104°F or falling below 5°C/41°F.
- If the supply power lead on the compressor is defective, an authorized **Jun-Air** distributor or other qualified personnel must carry out the repair.

## INSTALLATION

Your JUN-AIR compressor is easy to operate. Observe the instructions and you will get many years service from your compressor.

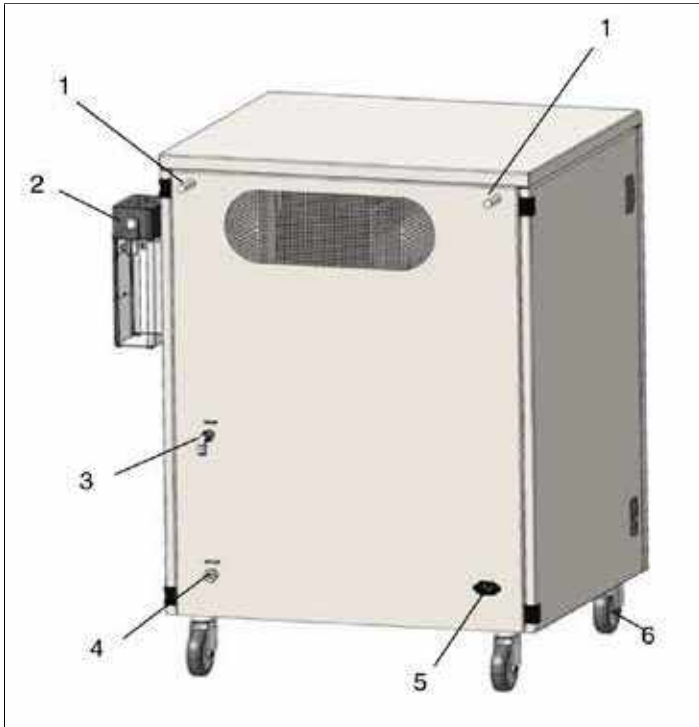
- Visually inspect unit for shipping damage, contact your supplier immediately if you think the unit may have been damaged.
- Check that the performance of the compressor matches the actual air consumption, please refer to Technical Specifications.
- Check that the rating plate of the compressor corresponds with the electrical voltage offered and check that fusing is adequate.

### Placing

Place the compressor in a dust-free, dry and cool, yet frost-free room. Sufficient cooling from the surroundings is important.

- Ambient temperature: 5°C to 40°C, 41°F to 104°F
- Relative humidity: Max 90%

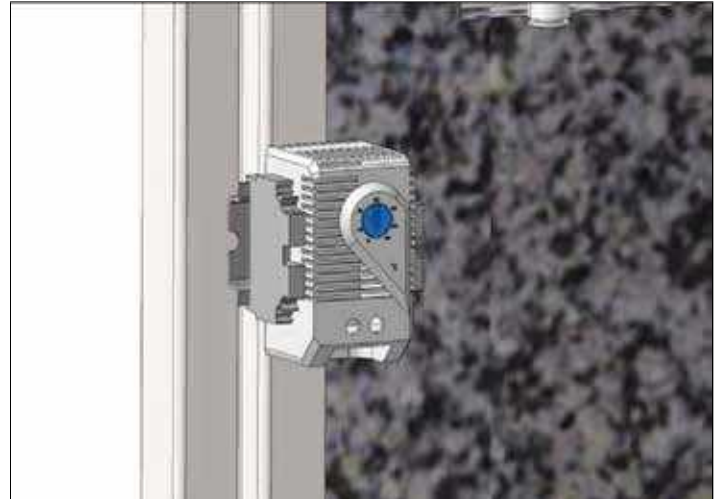
Mount the two distance bolts (1) on the back of the cabinet to ensure sufficient ventilation.



### Installation

- Mount the drain bottle (2) visibly outside the cabinet and mount the hose at the back of the cabinet (3).
- Connect the cable at the back of the cabinet (5).
- Plug the compressor into a standard outlet switch.
- Connect equipment at the back of the cabinet (4).
- The front wheels are delivered with brakes. Brake the wheels before starting the compressor (6).

### Thermo Switch



The fans are controlled by a Stego thermo switch adjusted to 30°C from the factory – do not alter this setting. Check that the setting is correct and adjust if necessary.







The fans will start when the temperature inside the cabinet exceeds 30°C and will run continuously until the temperature drops below 30°C.

## OPERATION

- If the compressor has been stored at an extremely low temperature, allow it to heat to room temperature before switching it on.
- The cut-in and cut-out pressure is preset from the factory and it is normally not necessary to change this. However, if it is necessary to change the preset settings, the instructions of this manual shall be followed carefully.
- All AC compressors are designed for 100% duty, but 50% operation is recommended to prolong the lifetime.
- The fans on the back of the cabinet will start when the temperature exceeds 30°C. It will run continuously even if the compressor may have switched off until the temperature is below 30°C again.
- Do not lubricate the oil-less motor with oil, as it will destroy important components.



### Start



-  Start the compressor by pressing the green button.
-  The green lamp for compressor in operation is now alight.
-  Read the outlet pressure on the pressure gauge.
-  Adjust the pressure on the regulator.
-  Read the receiver pressure on the pressure gauge.
-  The green lamp is alight when the fans are in operation.

Read on the hour counter the elapsed service time.

If the compressor does not start, there might be pressure in the receiver. The compressor will automatically start when the pressure drops.

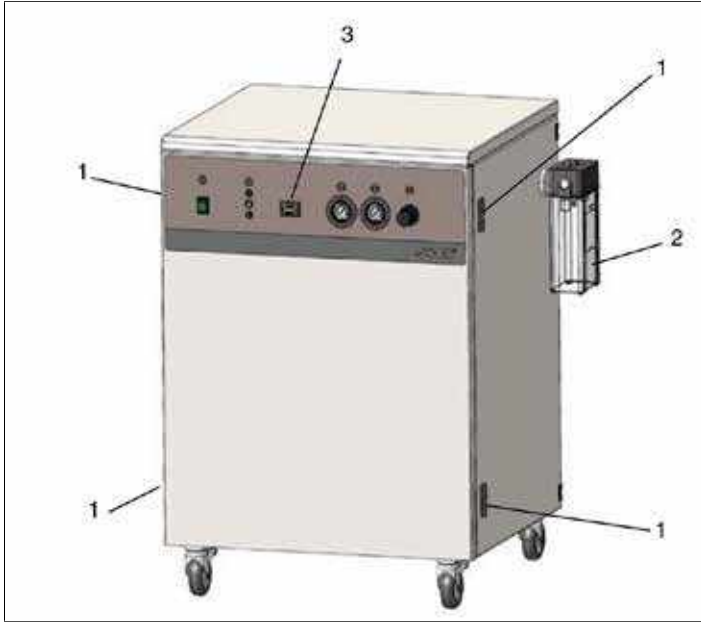
The compressor will automatically stop when the preset cut-out pressure is reached.

### Stop

-  Turn off the compressor by pushing the green button.
-  The green light for compressor in operation switches off.

## MAINTENANCE

To ensure a long lifetime of the compressor, it is important that inspection and maintenance is carried out regularly as described in the following.



Read the elapsed operation time on the hour counter.

### Opening of cabinet

Turn the four (4) locks clockwise with a screwdriver or sim. to open the cabinet.

### Preventive maintenance

|   | Activity               | Weekly | Monthly | One a year, or every 2000 hours |
|---|------------------------|--------|---------|---------------------------------|
| a | Drain condensate       | •      |         |                                 |
| b | Check filter regulator |        |         | •                               |
| c | Check for leaks        |        | •       |                                 |
| d | Clean the unit         |        | •       |                                 |
| e | Check safety valve     |        |         | •                               |
| f | Check inlet filter     |        |         | •                               |
| g | Check non-return valve |        |         | •                               |
| h | Check fans             | •      |         |                                 |
| i | Check dryer            |        | •       |                                 |

### a) Drain condensate

**CAUTION**

**Risk of Bursting**

**Open door to access drain assembly.**

If drain bottle is installed, empty when necessary. [2].

1) Drain condensate by opening the manual drain on the receiver.

If mounted with auto drain, condensate will be drained automatically.

### b) Check outlet filter

Check and change the filter and filter element in accordance with the instructions in "Installation and maintenance instructions" for the filter in question.

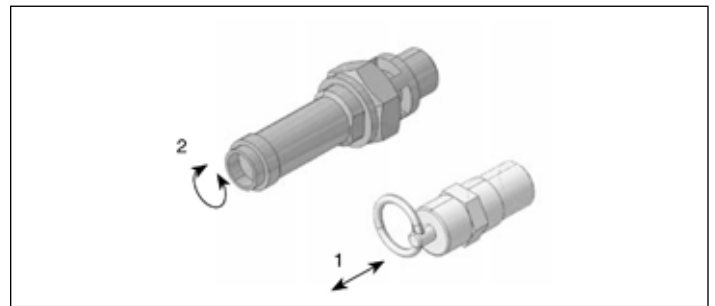
### c) Check for leaks

Check motor, hoses and equipment for leaks. Check the pumping time.

### d) Clean the unit

Clean the unit when needed with a soft, damp cloth. If necessary, use paraffin to remove adhesions. Dust and dirt prevent cooling.

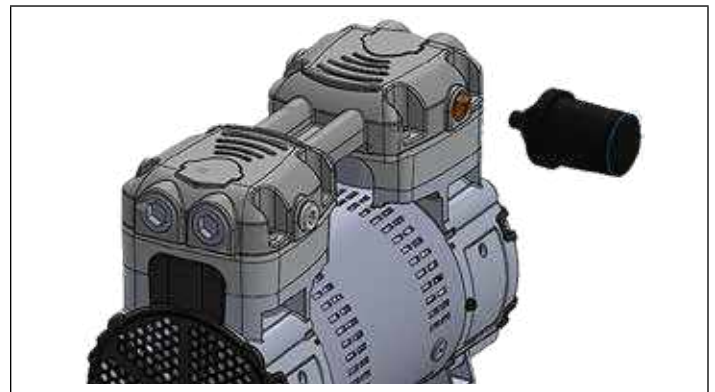
### e) Check safety valve



Check the safety valve with pressure in the receiver. The safety valve is operated by pulling the ring [1] or turning the screw [2] depending on the valve type.

### f) Check intake filter

Check the intake filter and change it if necessary.

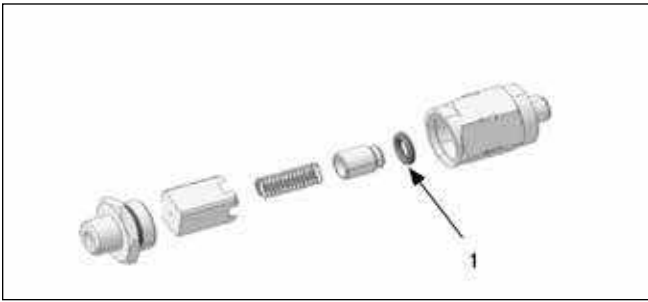


### g) Check the non-return valve

Turn off the compressor on the mains switch and pull out the plug.

Empty the receiver for compressed air by operating the safety valve. When the receiver is empty, the reading of the pressure gauge is 0 bar.

Dismount the non-return valve from the receiver.



Disassemble the non-return valve and remove the O-ring [1] part no. 6243000 from the piston.

Clean the non-return valve.

Mount a new O-ring and re-assemble the non-return valve.

Re-install the non-return valve.

#### h) Check the fans

Check that the fans at the back of the cabinet work. They will start when the temperature exceeds 30°C and will run continuously until the temperature falls below 30°C.

#### i) Check dryer

If a dryer is installed refer to the operating manual for the dryer. Please note that all service must be carried out by a qualified person.

#### Adjustment of pressure switch

The working pressure has been preset from the factory, and it is normally not necessary to change this.

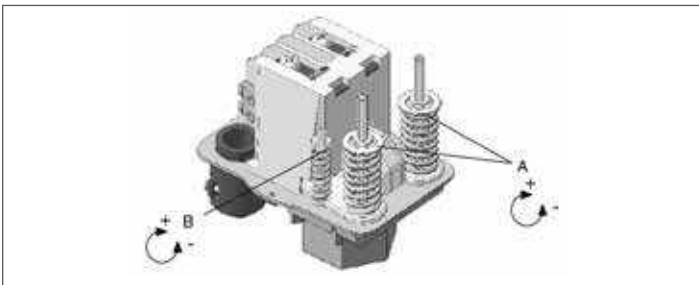
However, if it is necessary to change the preset settings, the instructions mentioned below should be followed carefully.

#### Warning

**The compressor is constructed and approved for a max. pressure as stated under Technical Specifications - do not adjust to a higher pressure.**

**Higher working pressure will reduce the lifetime of the compressor.**

The compressor will stop at max. pressure (stop pressure) and start again at min. pressure (start pressure). The difference between max. and min. pressure is the difference pressure.



Unscrew the lid of the pressure switch. Adjust max. pressure adjusting the two springs marked A (clockwise: higher pressure). Adjust the two springs identically.

Adjust the difference pressure adjusting the spring marked B (clockwise: higher difference pressure, start pressure maintained).

#### Test of pumping time

The pumping time indicates the condition of the compressor.

1. Check that there are no leaks in the system.
2. Empty the air receiver of compressed air so that the pressure gauge shows 0 bar.
3. Close the filter regulator and check that the drain valve is closed.
4. Start the compressor and note the time it takes until it is turned off again by the pressure switch. Check that the pumping time agrees with the technical specifications for the actual compressor system.

Please note that the pumping time in this manual is given for 0 to max pressure. Deviations from this result in deviating results.

#### Important

**Always test the pumping time when cold. If the compressor is warm, the pumping time will be considerably longer.**

## FAULT FINDING AND REPAIR

#### Important

**Switch off and isolate from electrical supply before removing any parts from the pump. Empty air receiver of air before performing any operation on the compressors' pressure system.**

#### 1. Compressor does not start

- a. The air receiver is pressurized. The motor will start when the pressure has dropped to the preset start pressure. Empty the receiver.
- b. Check that the mains supply agrees with the motor label.
- c. No power from mains. Check fuses and plug.
- d. Bad connection or broken cable.
- e. The motor is overheated and the thermal protection has switched it off. When cooled the motor will turn on automatically. Go to section 4.
- f. The compressor has not been unloaded and there is back pressure on the piston. Ensure that the compressor is unloaded each time it stops.
- g. The motor is blocked.
- h. Defective capacitor.

#### 2. The compressor makes a buzzing sound but does not start

- a. Leaky non-return valve. Dismount the pressure pipe and check if air leaks from the non-return valve. Clean and replace.
- b. The motor is blocked.

**3. The compressor runs but the pressure does not increase**

- a. Intake filter clogged. Replace.
- b. Non-return valve is clogged. Clean or replace.
- c. Leaks in fittings, tubes or pneumatic equipment. Check with soapy water or by letting unit stay over night disconnected from mains. Pressure drop should not exceed 1 bar.
- d. Check the piston gaskets. Replace if necessary.
- e. Defective valve plate. Contact your JUN-AIR distributor.

**4. The motor gets very hot**

- a. The ambient temperature is too high. If the motor is installed in a cabinet, sufficient ventilation must be ensured.
- b. Leaks in fittings, tubes or pneumatic equipment. Check with soapy water or by letting unit stay over night disconnected from mains. Pressure drop should not exceed 1 bar.
- c. The compressor is overloaded.

**5. The compressor runs even if no air is tapped**

- a. Leaks in fittings, tubes or pneumatic equipment. Check with soapy water or by letting unit stay over night disconnected from mains. Pressure drop should not exceed 1 bar.

**6. The compressor does not start at min pressure or does not stop at max pressure.**

- a. Defective pressure switch. Replace.

**PRESSURE VESSEL**

|                    |                             |
|--------------------|-----------------------------|
| Pressure tested at | 4-25 litre <b>24 bar</b>    |
|                    | 40-50 litre <b>18.3 bar</b> |

**Directions for use**

|                         |  |
|-------------------------|--|
| Application             | Receiver for compressed air  |
| Receiver specifications | See name plate   |
| Installation            | Tubes, etc. must be installed with suitable materials  |
|                         | Observe the working temperature of the receiver  |
| Placement               | Ensure sufficient room for inspection and maintenance  |
|                         | The receiver must be kept in a horizontal position   |
|                         | The surface treatment must be maintained as required   |
| Corrosion protection    | Internal inspection at least every five years  |
|                         | Drain condensate at least once a week  |
| Alternation/repair      | No welding must be made on pressurized parts   |
|                         | Ensures that PS will not be exceeded   |
|                         | Never adjust to a higher pressure than PS  |
| Safety valve            | The capacity of the valve must be calculated in accordance with the volume of air supplied by the compressor |
|                         | PS - Maximum working pressure of the receiver  |



| Specifications                                  |             | 106R-4M            |                    | 106R-25M                             |                    | 106R-25MQ2                           |                    | 2x106R-40M                           |                                      | 2x106R-40MQ2 |  |
|---|-------------|--------------------|--------------------|--------------------------------------|--------------------|--------------------------------------|--------------------|--------------------------------------|--------------------------------------|--------------|--|
|   |             |                    |                    |                                      |                    |                                      |                    |                                      |                                      |              |  |
| Electrical rating                               | volts       | 120 V              | 120 V              | 230 V                                | 120 V              | 230 V                                | 120 V              | 230 V                                | 230 V                                |              |  |
| Tank size                                       | liter       | 4                  | 25                 |                                      |                    |                                      | 40                 |                                      |                                      |              |  |
|   | U.S. gallon | 1.1                | 6.6                |                                      |                    |                                      | 10.6               |                                      |                                      |              |  |
| Weight  | kg          | 46                 | 80                 |                                      | 84                 | 85                                   | 108                | 106                                  | 111                                  |              |  |
|   | lbs         | 102                | 176                |                                      | 186                | 188                                  | 238                | 234                                  | 245                                  |              |  |
| Dimensions (w x h x d)                          | mm          | 43.9 x 42.2 x 56.9 | 44.7 x 85.9 x 56.9 |                                      | 44.7 x 85.9 x 71.7 |                                      | 64 x 85.9 x 67.6   |                                      |                                      |              |  |
|   | in          | 17.3 x 16.6 x 22.4 | 17.6 x 33.8 x 22.4 |                                      | 17.6 x 33.8 x 28.2 |                                      | 25.2 x 33.8 x 26.6 |                                      |                                      |              |  |
| Continuous System Output Flow @ 8 bar (116 psi) | LPM         | 51                 | 45.3               | 36.8 @ 50 Hz<br>45.3 @ 60 Hz         | 45.3               | 28.3 @ 50 Hz<br>36.8 @ 60 Hz         | 90.6               | 70.8 @ 50 Hz<br>90.6 @ 60 Hz         | 70.8 @ 50 Hz<br>85.0 @ 60 Hz         |              |  |
|   | CFM         | 1.8                | 1.6                | 1.3 @ 50 Hz<br>1.6 @ 60 Hz           | 1.6                | 1.0 @ 50 Hz<br>1.3 @ 60 Hz           | 3.2                | 2.5 @ 50 Hz<br>3.2 @ 60 Hz           | 2.5 @ 50 Hz<br>3.0 @ 60 Hz           |              |  |
| Cut-in Pressure                                 | bar         | 6                  |                    |                                      |                    |                                      |                    |                                      |                                      |              |  |
|   | psi         | 87                 |                    |                                      |                    |                                      |                    |                                      |                                      |              |  |
| Cut-out Pressure                                | bar         | 8                  |                    |                                      |                    |                                      |                    |                                      |                                      |              |  |
|   | psi         | 116                |                    |                                      |                    |                                      |                    |                                      |                                      |              |  |
| Maximum Operational Pressure <sup>1</sup>       | bar         | 10                 |                    |                                      |                    |                                      |                    |                                      |                                      |              |  |
|   | psi         | 145                |                    |                                      |                    |                                      |                    |                                      |                                      |              |  |
| Air Filtration                                  | µm          | 5                  |                    |                                      |                    |                                      |                    |                                      |                                      |              |  |
| Safety Relief Valve Pressure                    | bar         | 11                 |                    |                                      |                    |                                      |                    |                                      |                                      |              |  |
|   | psi         | 160                |                    |                                      |                    |                                      |                    |                                      |                                      |              |  |
| Sound Level                                     | dB(A)       | 52 to 58           | 50 to 58           | 49 to 57 @ 50 Hz<br>49 to 58 @ 60 Hz | 50 to 58           | 50 to 58 @ 50 Hz<br>53 to 59 @ 60 Hz | 54 to 60           | 54 to 60 @ 50 Hz<br>54 to 61 @ 60 Hz | 54 to 62 @ 50 Hz<br>54 to 64 @ 60 Hz |              |  |
|   | [Sones]     | 10 to 14           | 8 to 11            | 7 to 11 @ 50 Hz<br>7 to 11 @ 60 Hz   | 8 to 13            | 8 to 13 @ 50 Hz<br>8 to 13 @ 60 Hz   | 10 to 13           | 10 to 13 @ 50 Hz<br>10 to 14 @ 60 Hz | 10 to 13 @ 50 Hz<br>10 to 14 @ 60 Hz |              |  |
| Operating Temperature                           | °C          | 5 to 40            |                    |                                      |                    |                                      |                    |                                      |                                      |              |  |
|   | °F          | 41 to 104          |                    |                                      |                    |                                      |                    |                                      |                                      |              |  |
| Operating Relative Humidity                     | %           | 20 to 80           |                    |                                      |                    |                                      |                    |                                      |                                      |              |  |
| Pump Up Time (0 to cut out) <sup>2</sup>        | mm:ss       | 00:26              | 02:51              | 03:04 @ 50 Hz<br>02:32 @ 60 Hz       | 3:02               | 04:15 @ 50 Hz<br>03:07 @ 60 Hz       | 2:07               | 02:34 @ 50 Hz<br>02:07 @ 60 Hz       | 02:44 @ 50 Hz<br>02:18 @ 60 Hz       |              |  |

1) Max pressure not to exceed 10 bar/145 psi.  
Please note unit is certified at factory cut in and cut out pressure of 6 to 8 bar.

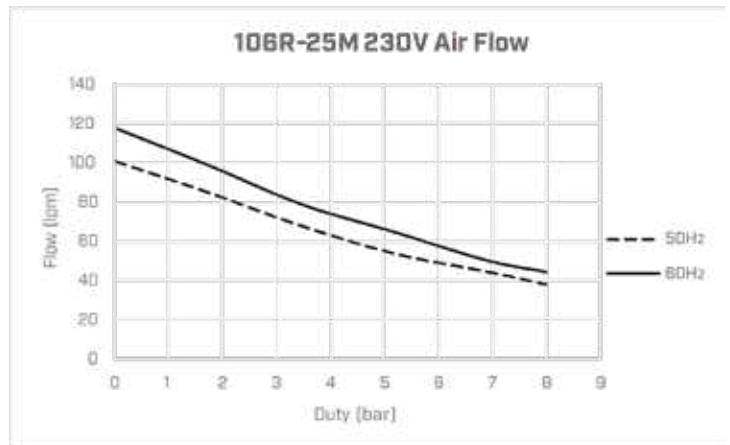
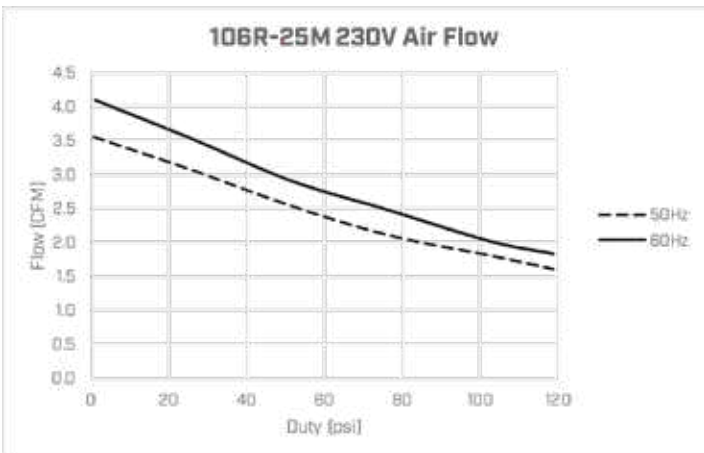
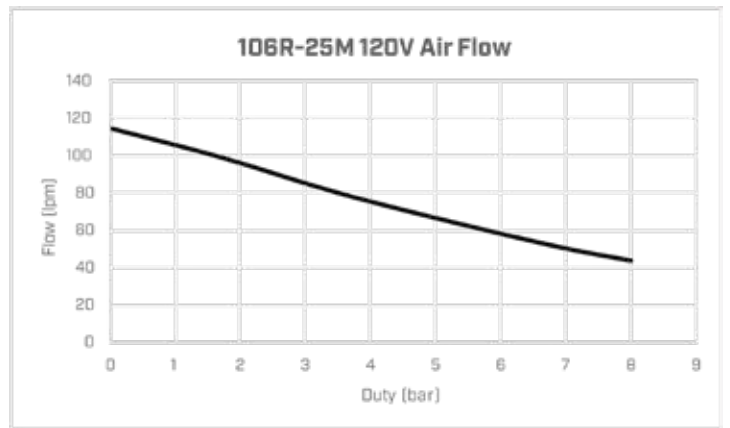
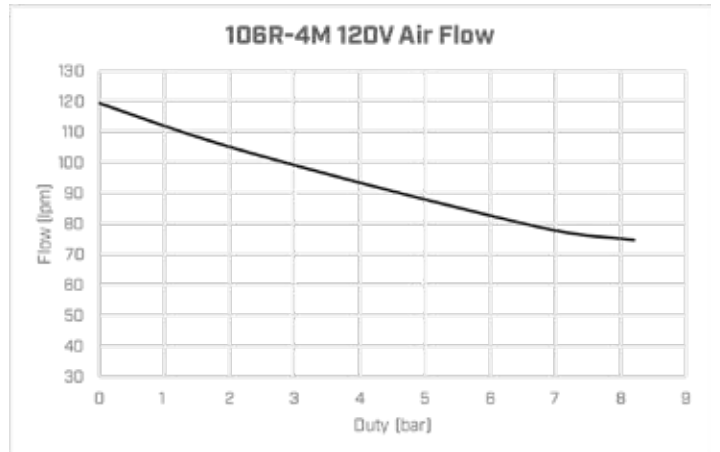
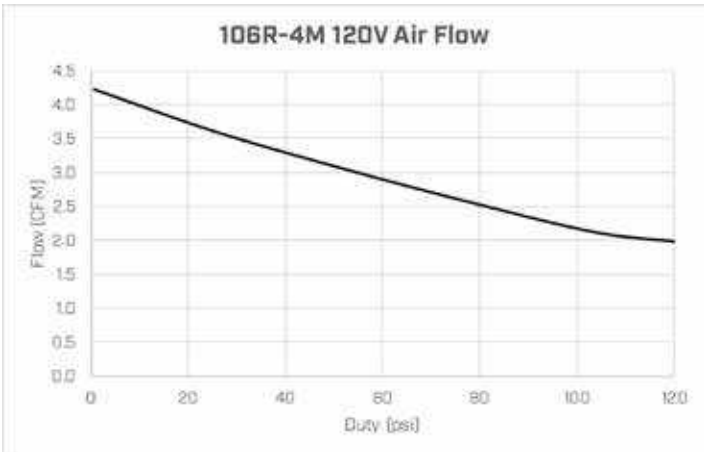
2) At operating temperature

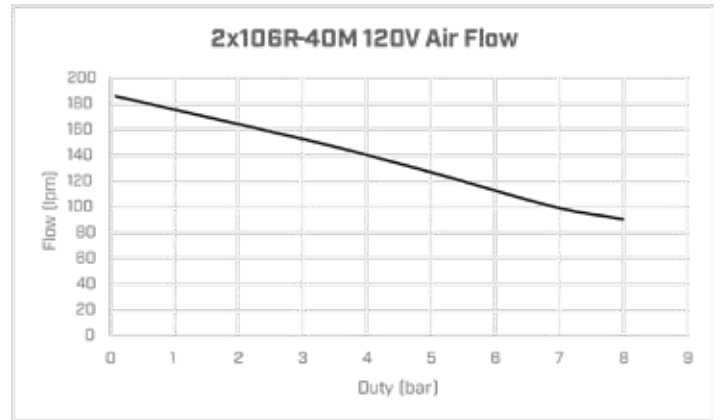
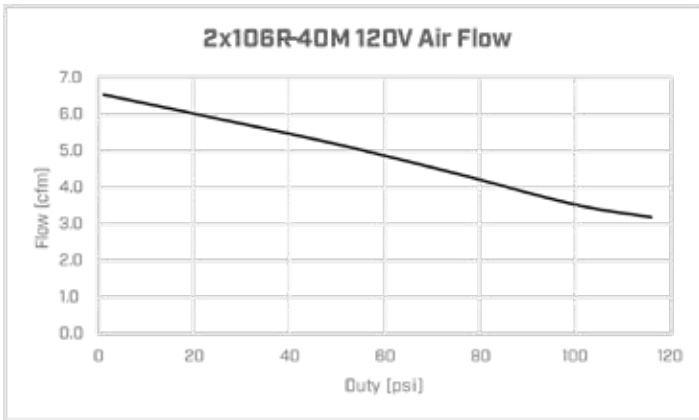
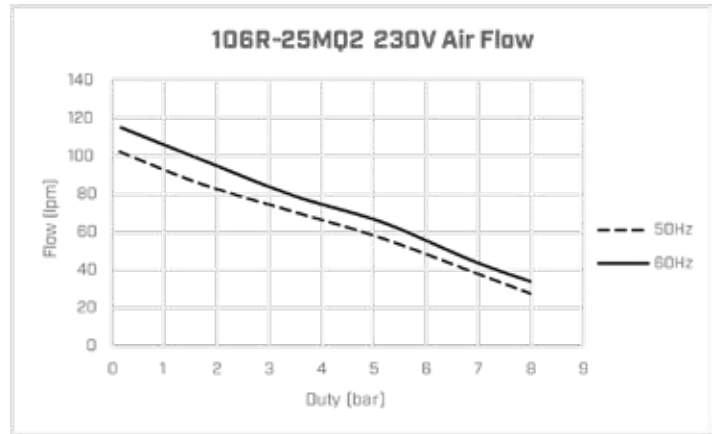
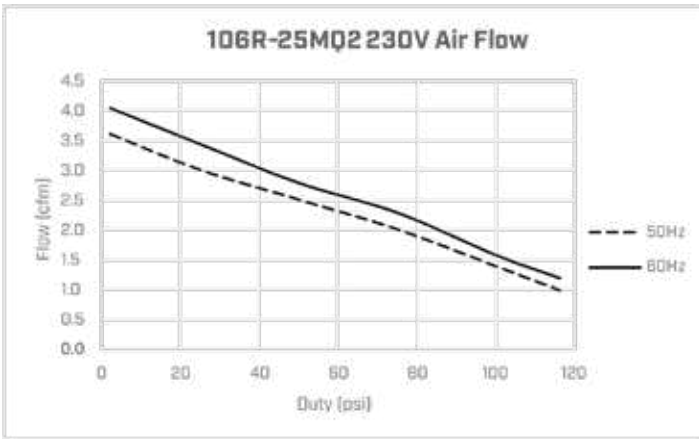
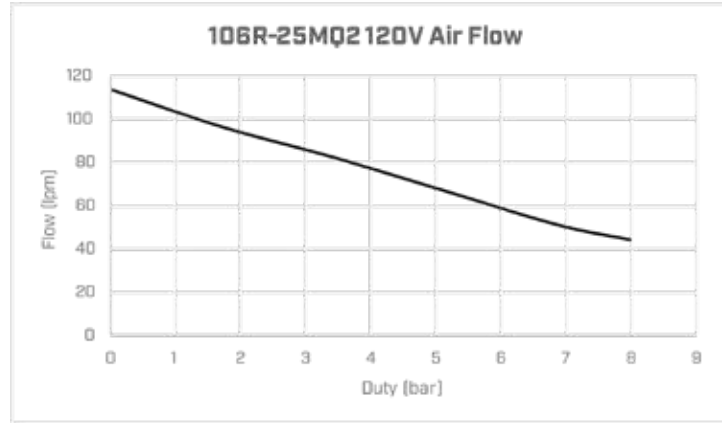
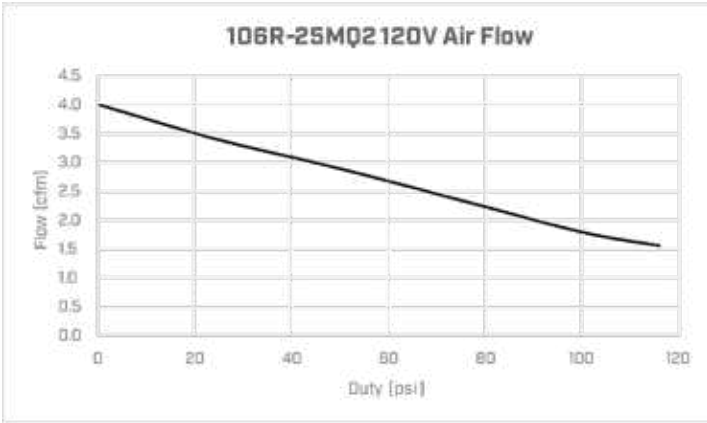
Technical modifications reserved.

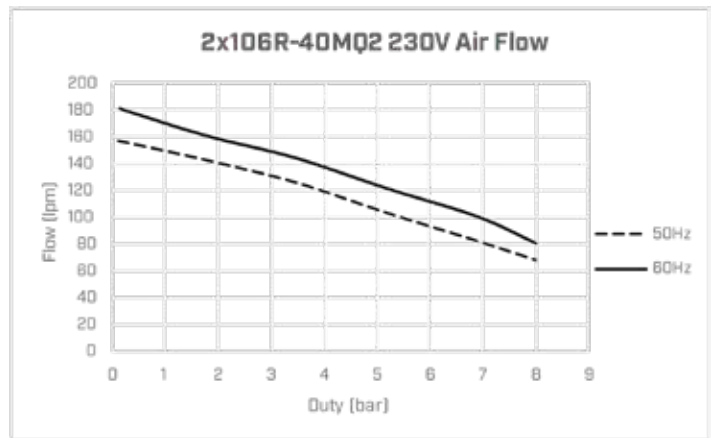
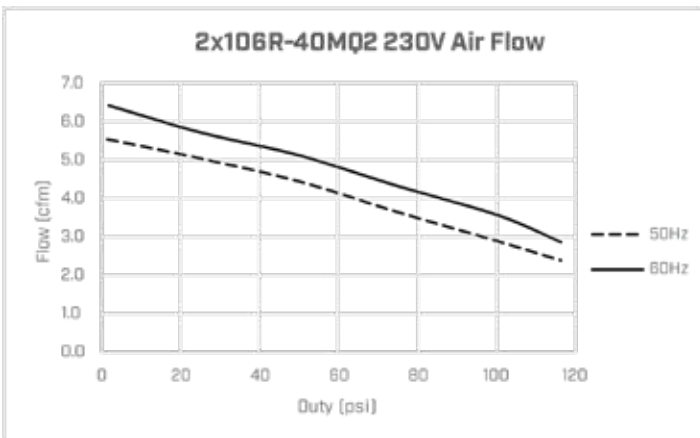
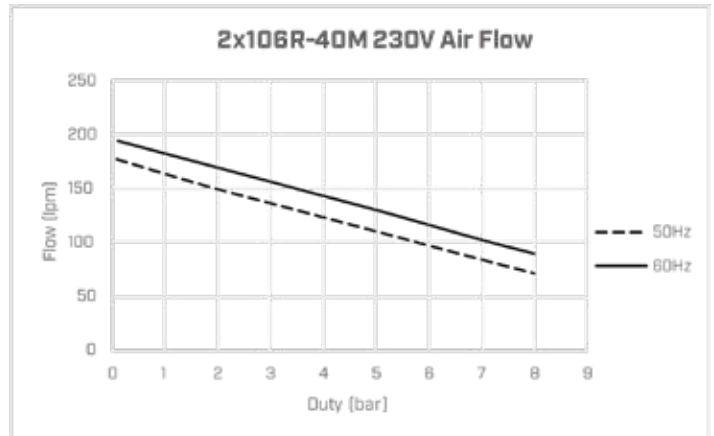
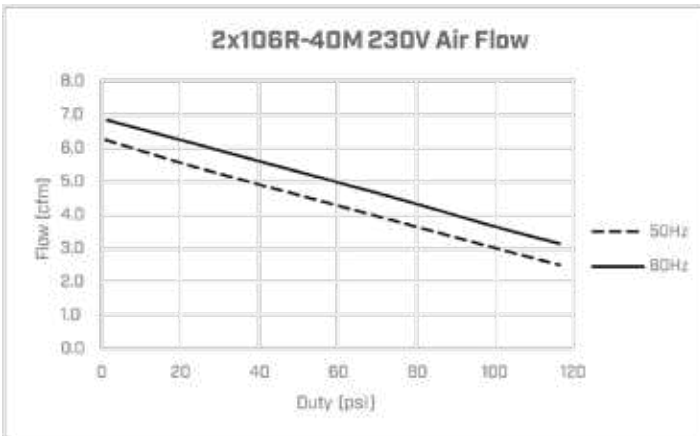
## Translations

| English   | German  | French   | Spanish  | Dutch  | Dansk   |
|---|---|--|--|--|---|
| Voltage   | Spannung  | Voltage  | Voltaje  | Voltage  | Spænding  |
| Frequency   | Frequenz  | Fréquence  | Frecuencia   | Frequentie   | Frekvens  |
| Power   | Motor HP  | Moteur CV  | Motor CV   | Motor HP   | Effekt  |
| Displacement  | Ansaugleistung  | Débit  | Aire aspirado  | Capaciteit   | Ydelse  |
| Max. pressure   | Max. Druck  | Pression de service max.   | Presión de régimen máx.  | Max. druk  | Max. driftstryk   |
| Max. current  | Stromverbrauch  | Consommation   | Corriente máxima   | Max. stroom  | Strømforbrug  |
| Tank size   | Behältervolumen   | Volume réservoir   | Volumen de tanque  | Tankvolume   | Beholderstørrelse   |
| Weight  | Gewicht   | Poids  | Peso   | Gewicht  | Vægt  |
| Dimensions<br>[l x w x h]   | Abmessungen<br>[l x b x h]  | Dimensions<br>[l x p x h]  | Dimensiones<br>[l x a x h]   | Afmetingen<br>[l x w x h]  | Dimensioner<br>[l x b x h]  |
| Noise level   | Schallemissionen  | Niveau sonore  | Nivel de ruido   | Geluidsniveau  | Lydniveau   |
| Pumping time  | Pumpzeit  | Temps de refoulement   | Tiempo de bombeo   | Pomptijd   | Oppumpningstid  |
| Neutral is required   | Null-leiter ist erforderlich  | Neutre nécessaire  | Neutro necesairo   | Neutraal noodzakelijk  | Nul-leder kræves  |
| Available for operation at a maximum pressure of 10 barg/145 psig upon request. Please note that operation at higher pressure will influence the life time. | Auf Anfrage erhältlich bis zu einem Betriebsdruck von max. 10 bar. Höherer Druck hat Auswirkungen auf die Lebensdauer.                                      |  |  |  | Kan leveres til max. driftstryk på 10 bar. Bemærk at øget driftstryk reducerer levetiden.             |
| Displacement is reduced by approx. 18-20% on units with dryer (D). Min. pressure required to operate dryer: 6 bar.  | Bei Kompressoren mit Adsorptionstrockner reduziert sich die effektive Luftliefermenge um 18-20% (D). Mindestarbeitsdruck für den Lufttrockner beträgt 6 bar | Le débit est réduit de 18-20% pour les unités avec sécheur d'air (D) Pression min. 6 bar | Le capacidad se reduce con 18-20% para las unidades con secador de aire (D)      | Bij systemen met droger is de capaciteit ca. 18-20% lager (D). Min. benodigde druk voor de droger: 6 bar | Ydelsen reduceres med ca. 18-20% på kompressorer med tørrer (D). Min. tryk til drift af tørrer: 6 bar |
| 3-phase units are approx. 100 mm wider than 1-phase units   | 3 phasige Anlagen ca. 100 mm breiter.   |  |  |  | 3-fasede anlæg er ca. 100 mm bredere end 1-fasede anlæg.  |
| Technical modifications reserved.   | Technische Änderungen vorbehalten   | Droits réservés pour modifications techniques  | Reservamos el derecho a cambiar estas especificaciones técnicas sin previo aviso | Technische wijzigingen voorbehouden  | Ret til ændringer forbeholdes   |

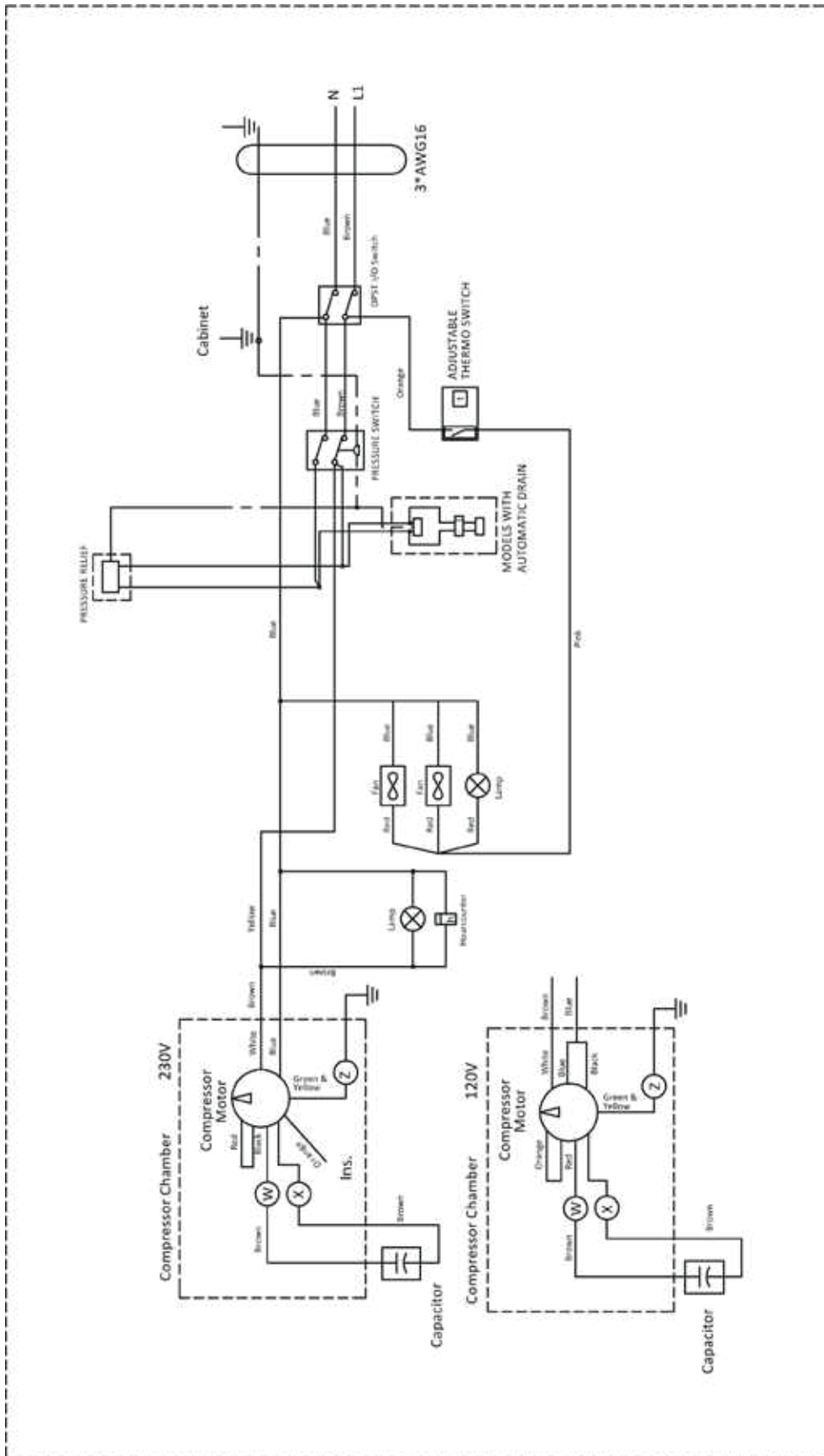
**Performance Curves**



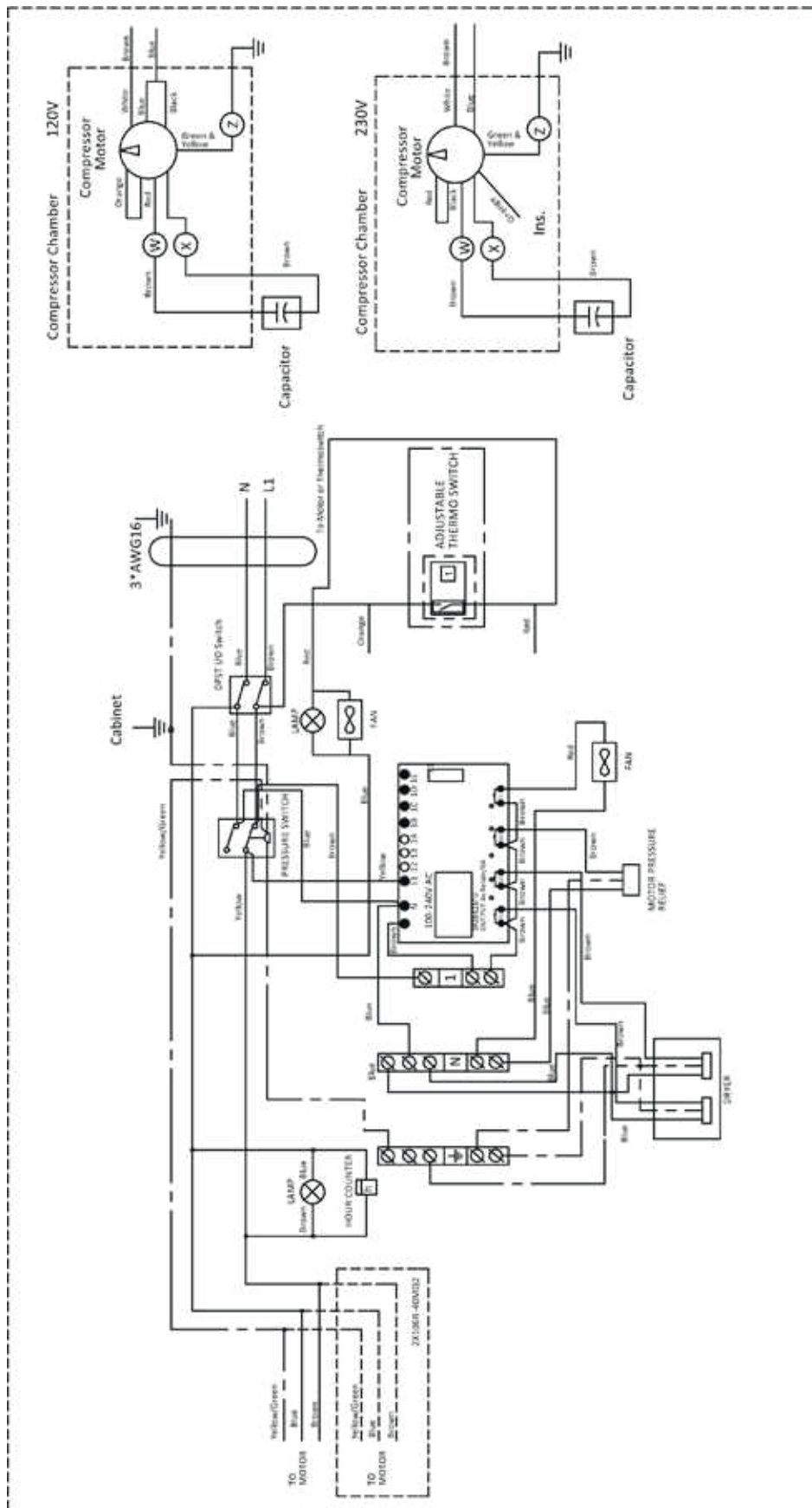




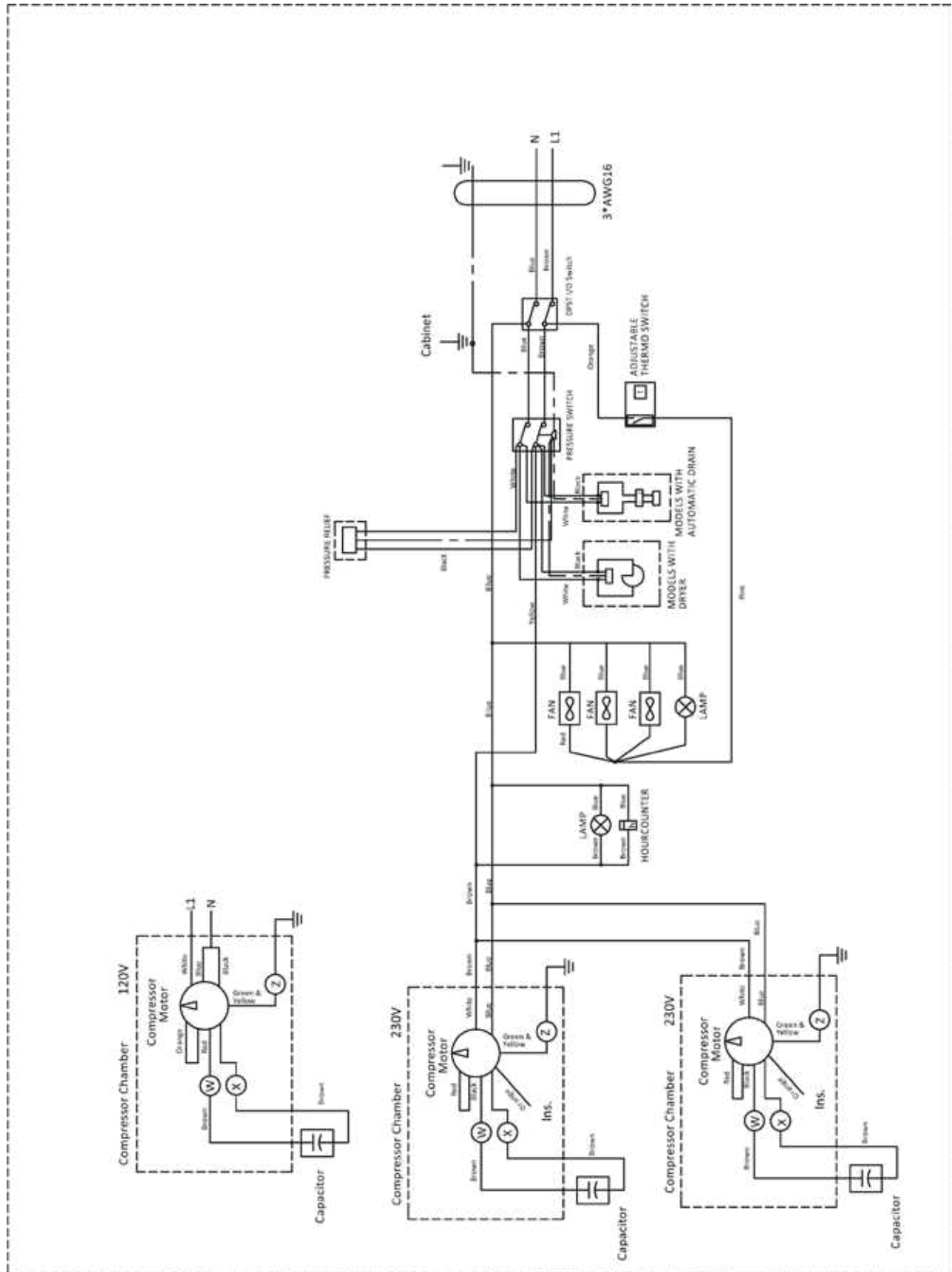
Electrical Drawing Model 106R-4M and 106R-25M



Electrical Drawing Model 106R-25MQ2 and 2x106R-40MQ2

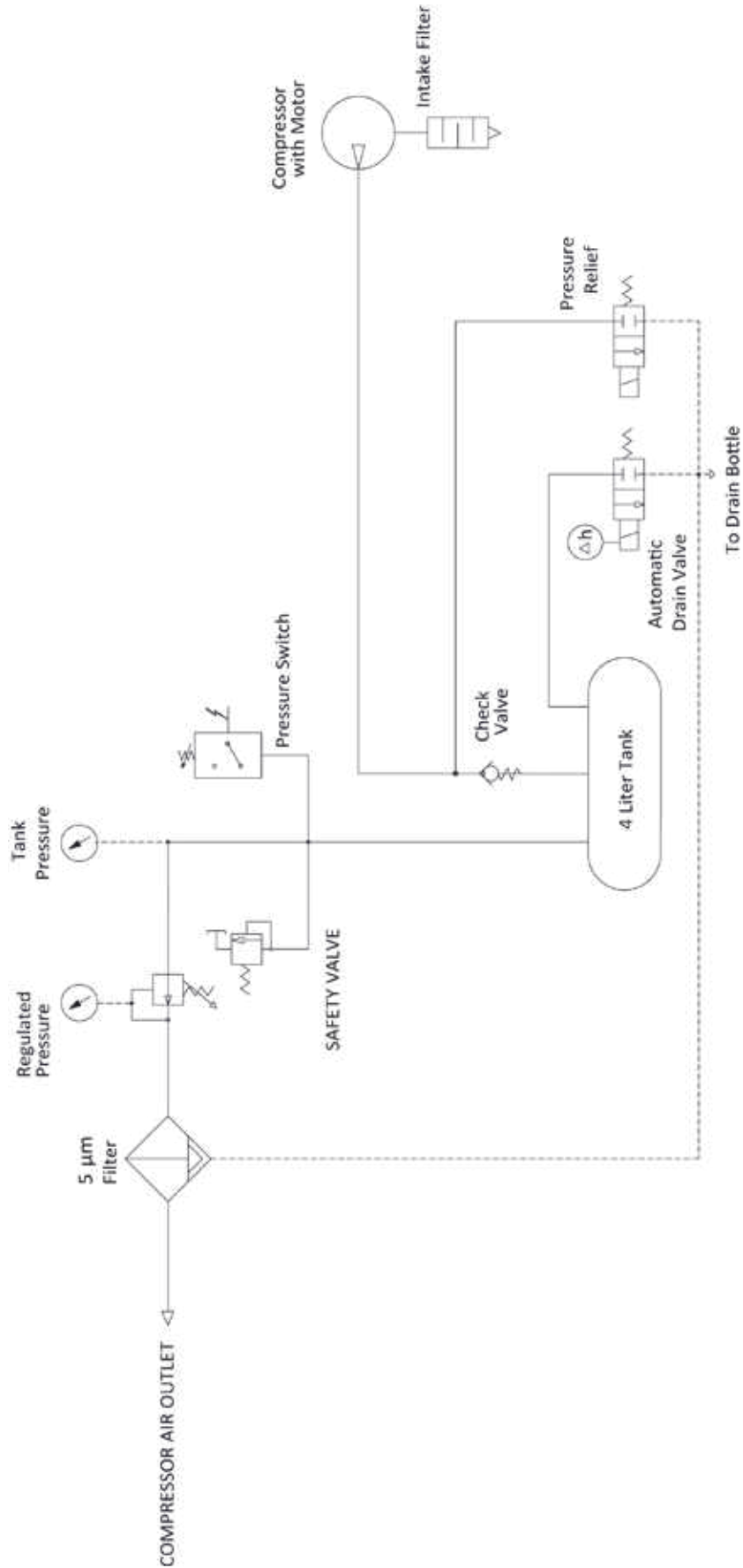


Electrical Drawing Model 2x106R-40M

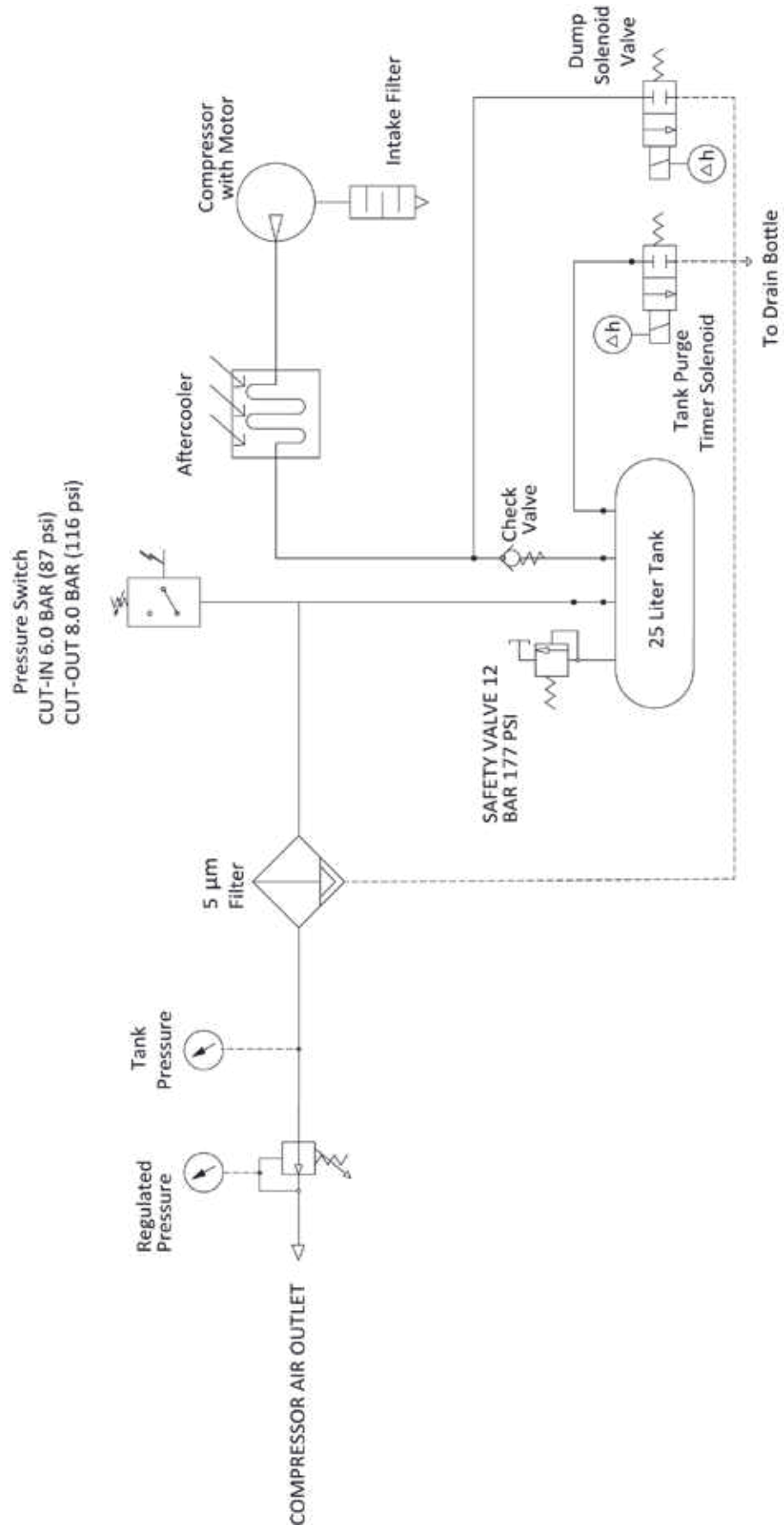




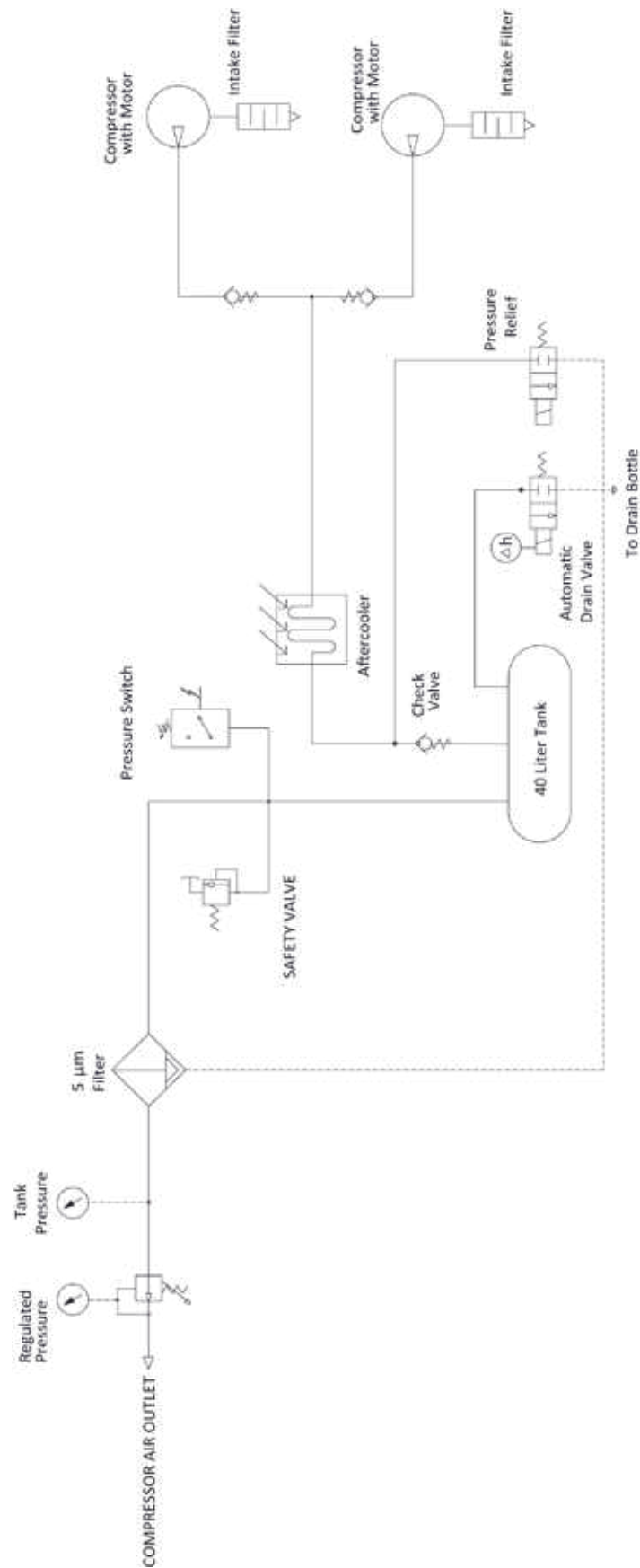
**Pneumatic Diagram Model 106R-4M**



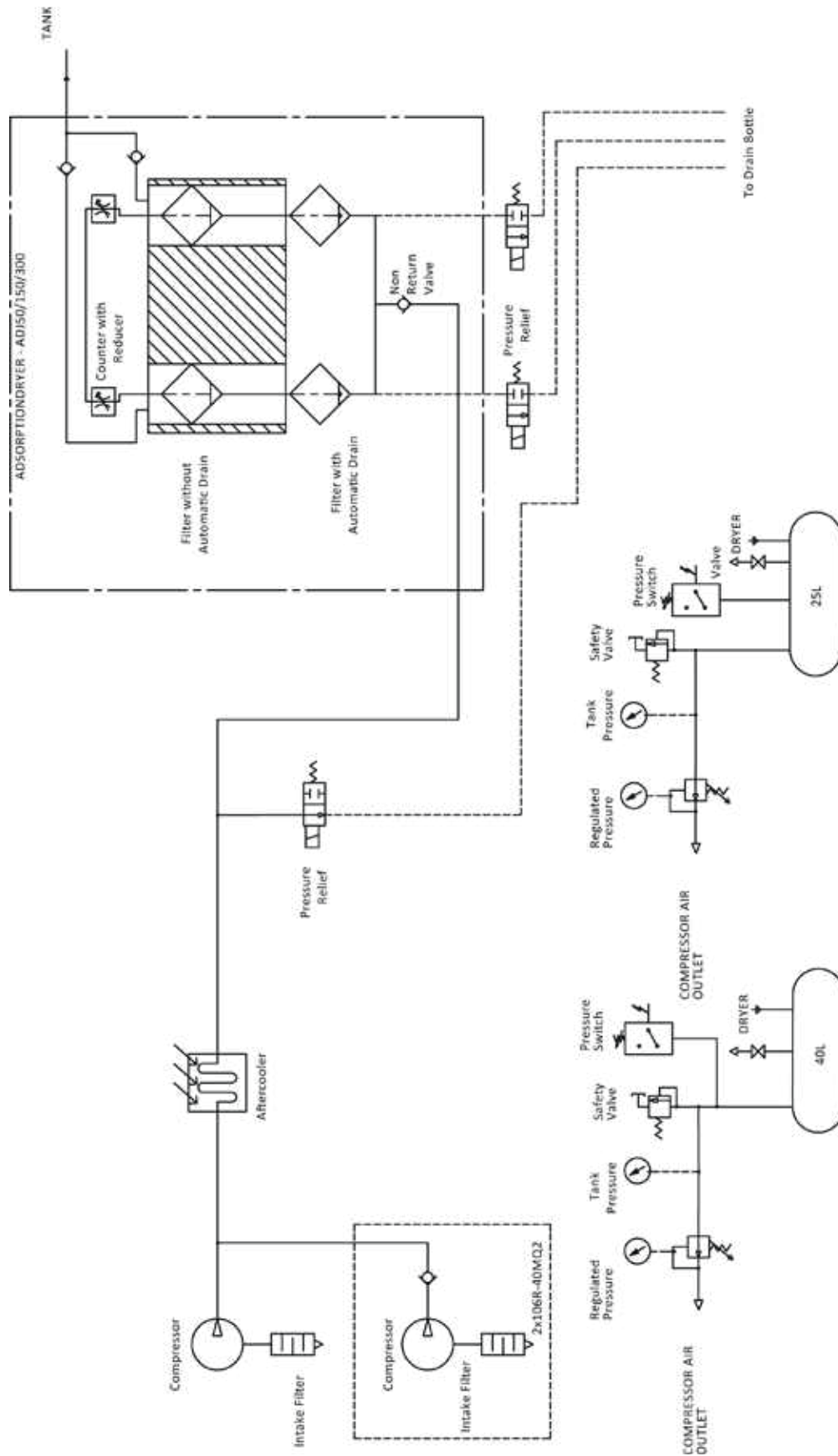
Pneumatic Diagram Model 106R-25M



**Pneumatic Diagram Model 2x106R-40M**



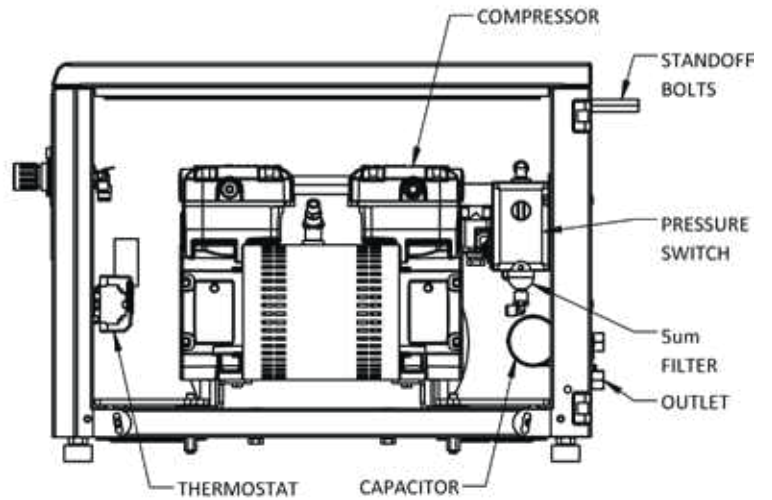
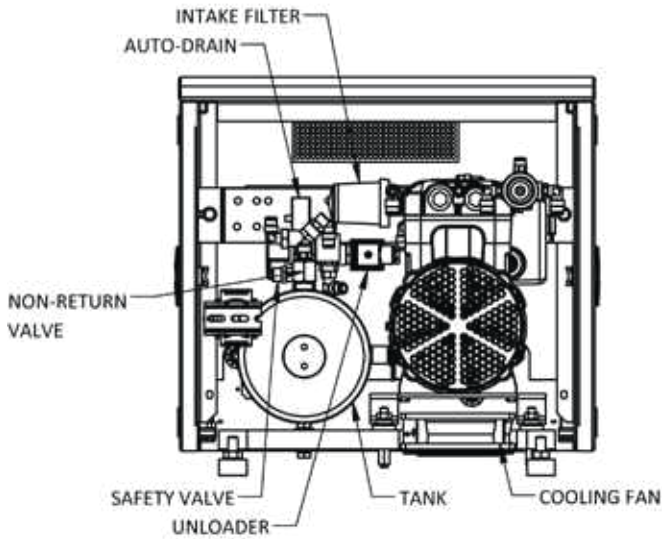
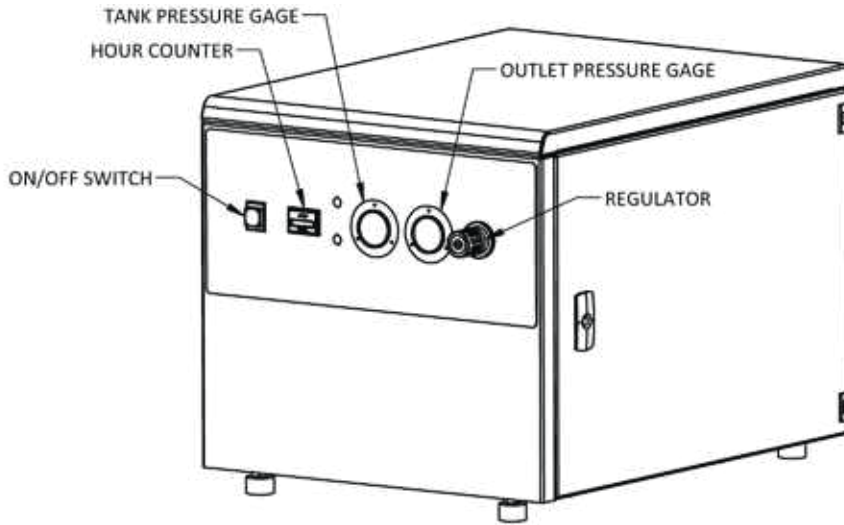
Pneumatic Diagram Models 106R-25M02 & 2x106R-40M02



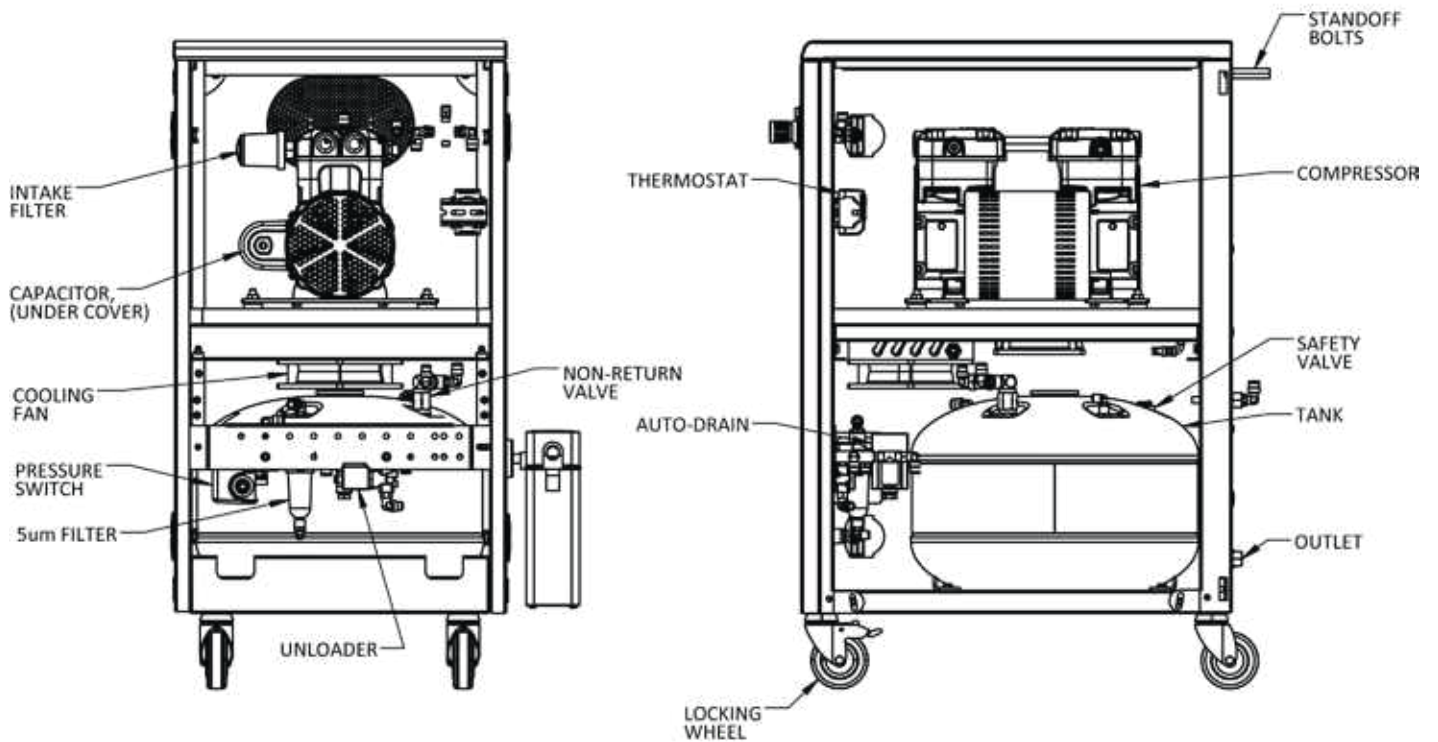
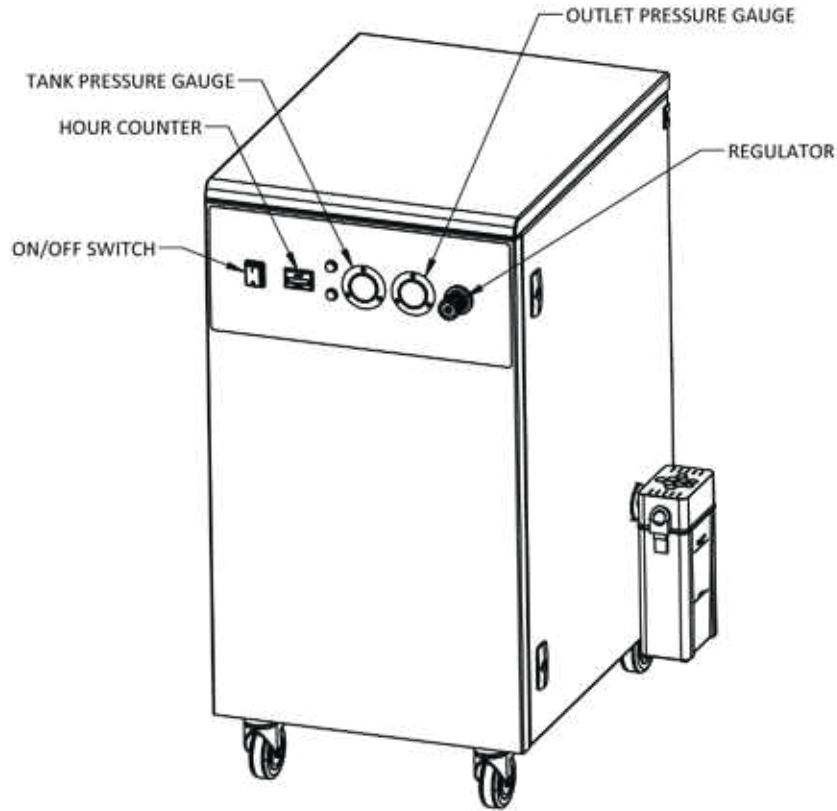
## Cabinet System Kits

| Description                               | Kit Number | Service Interval         |
|---|------------|--------------------------|
| 106R Preventative Maintenance Kit         | K1038      | 1000 hours or one year   |
| 106R6 Service Kit - Low Pressure          | K1039      | 6000 hours or five years |
| 106R5 Service Kit - High Pressure         | K1040      | 6000 hours or five years |
| 106R Capacitor Replacement Kit            | K1041      | Five years               |
| 106R Capacitor Cover                      | K1042      | As needed                |
| 106R Spare Parts                          | K1043      | As needed                |
| 106R Retrofit Parts for DF302/DF312       | K1044      | As needed                |
| Single Cabinet System Outlet hose kit     | K1046      | As needed                |
| Twin Cabinet System Outlet Hose Kit       | K1047      | As needed                |
| Regulator Filter Kit                      | 4071311    | 2000 hours or one year   |
| Regulator Filter Bowl Automatic Drain Kit | 4071340    | As needed                |
| 4071321 PARKER Reg Kit                    | 4071321    | As needed                |

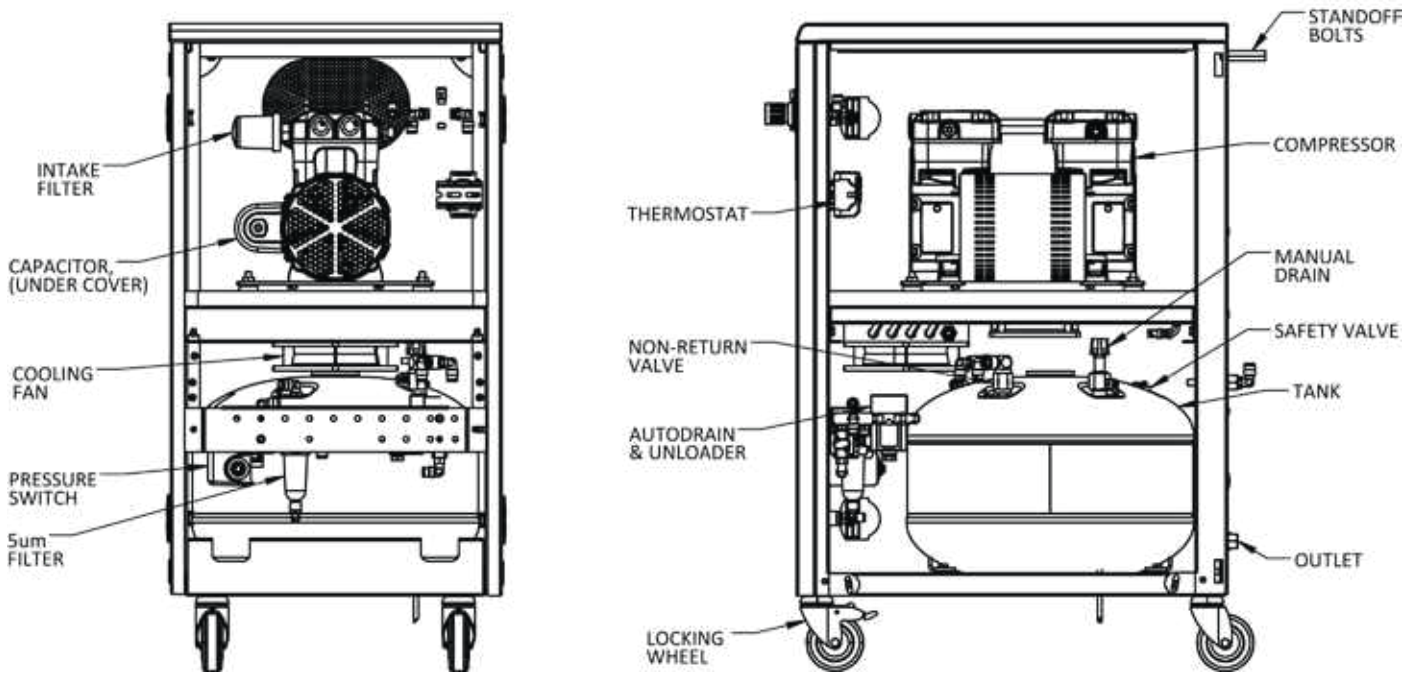
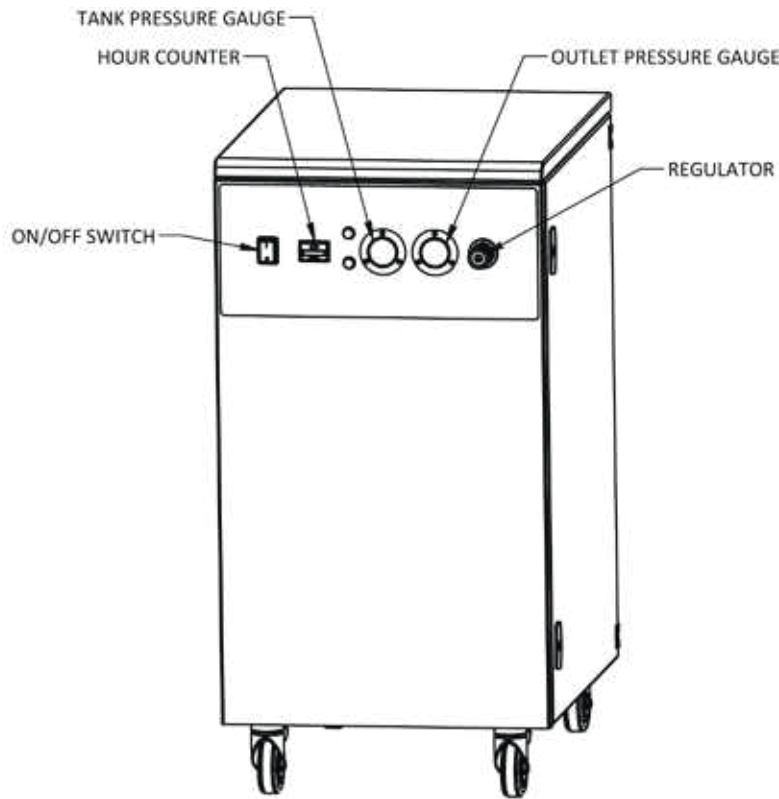
Feature Diagram 106R-4M



**Feature Diagram 106R-25M 120 V**

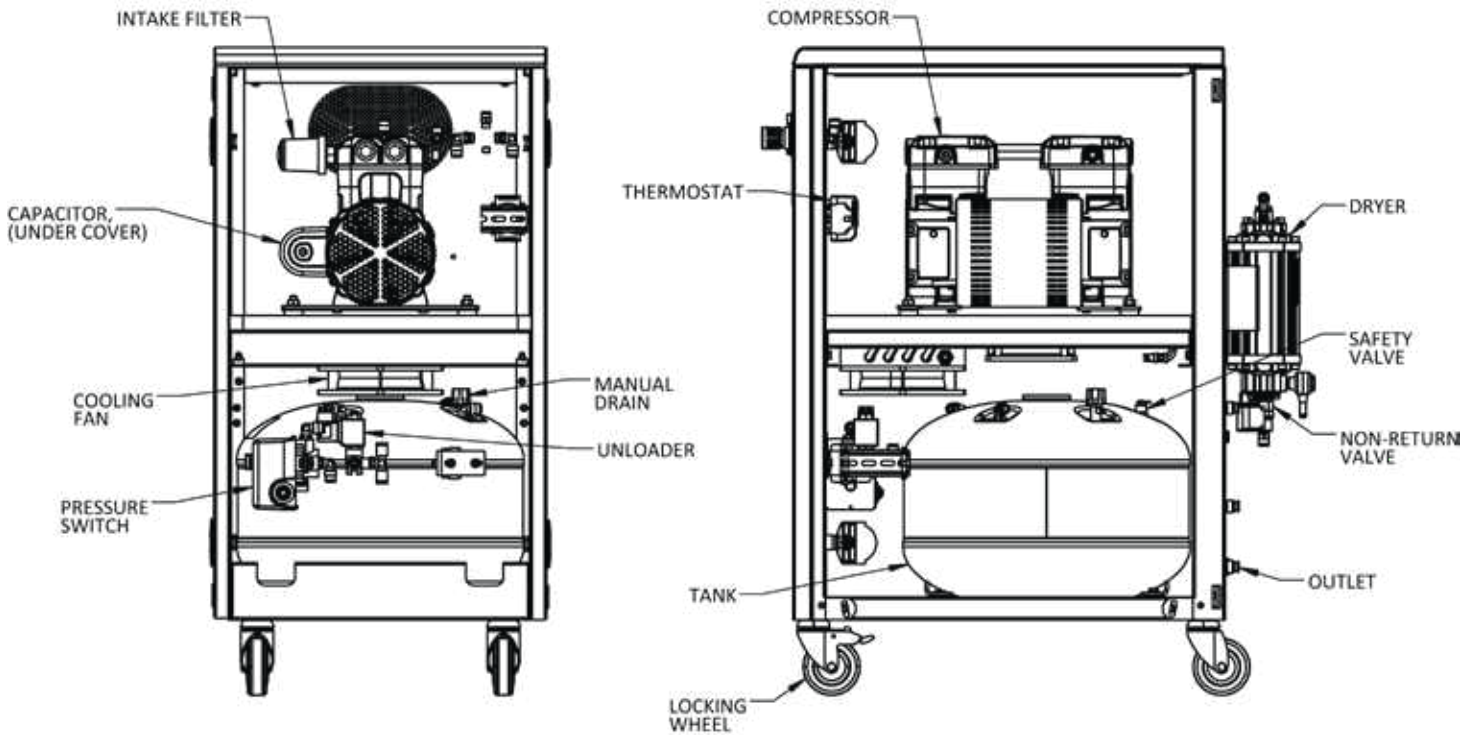
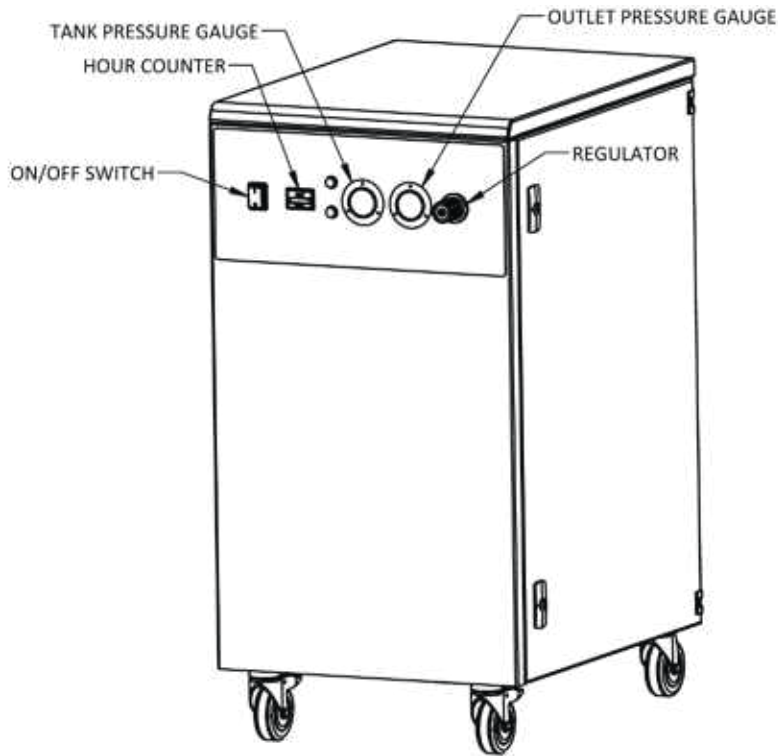


**Feature Diagram 106R-25M 230 V**

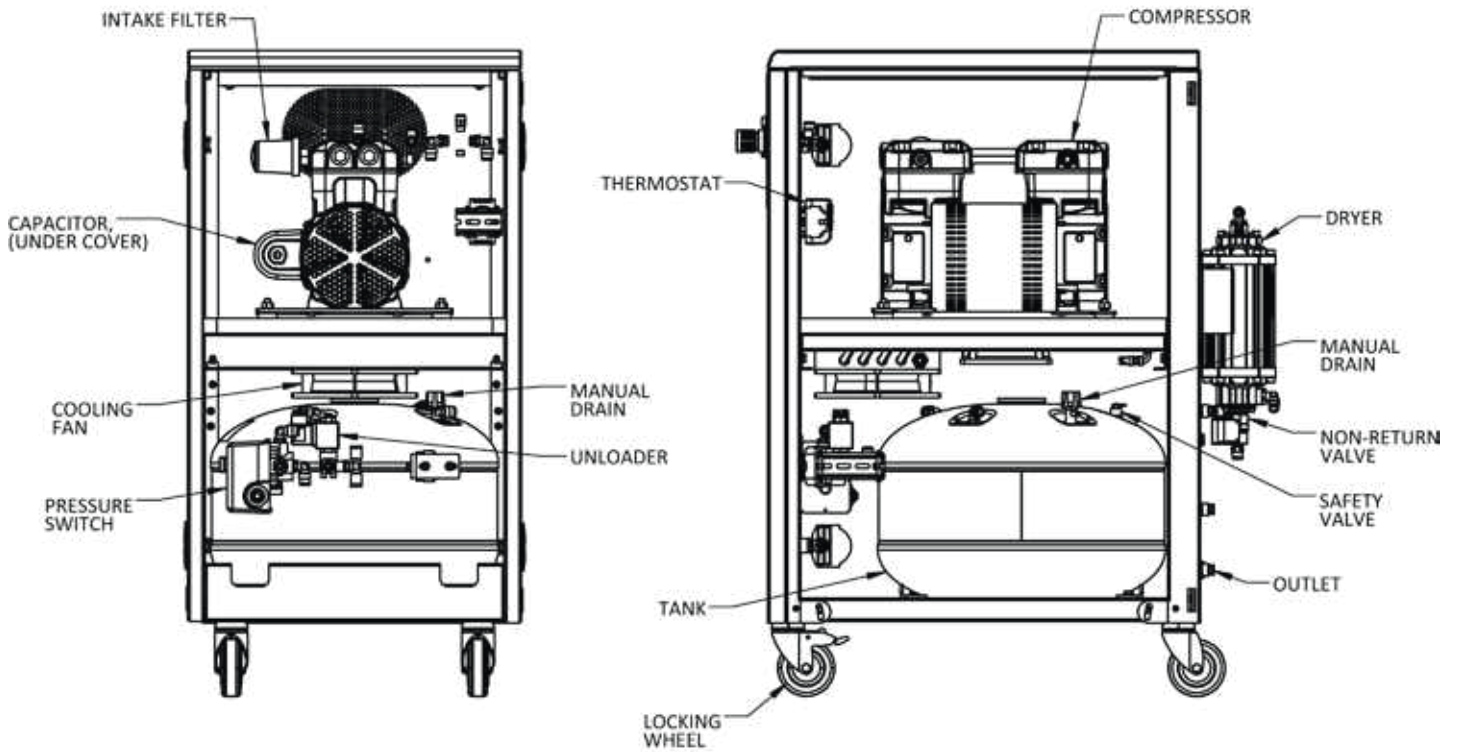
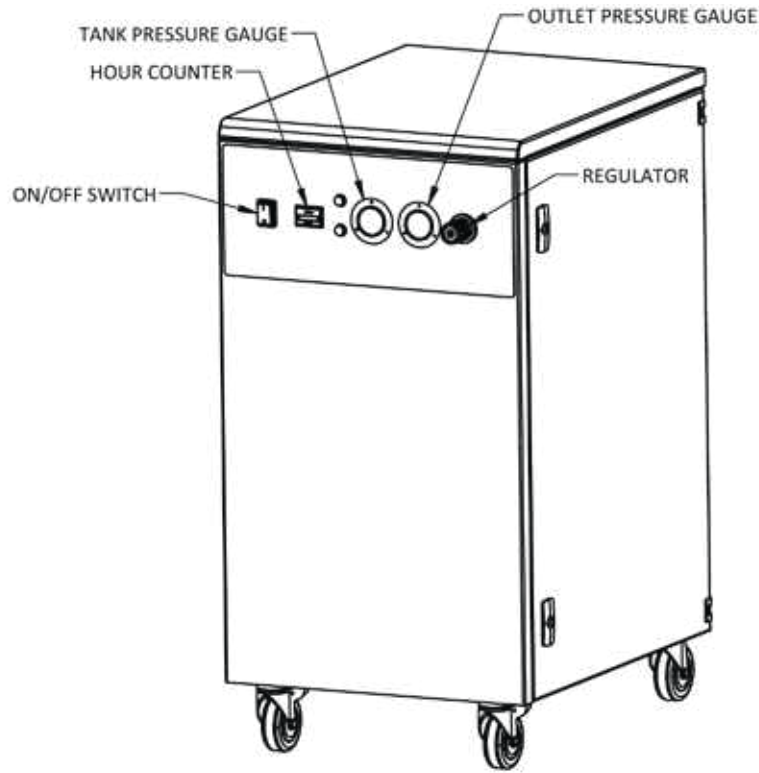




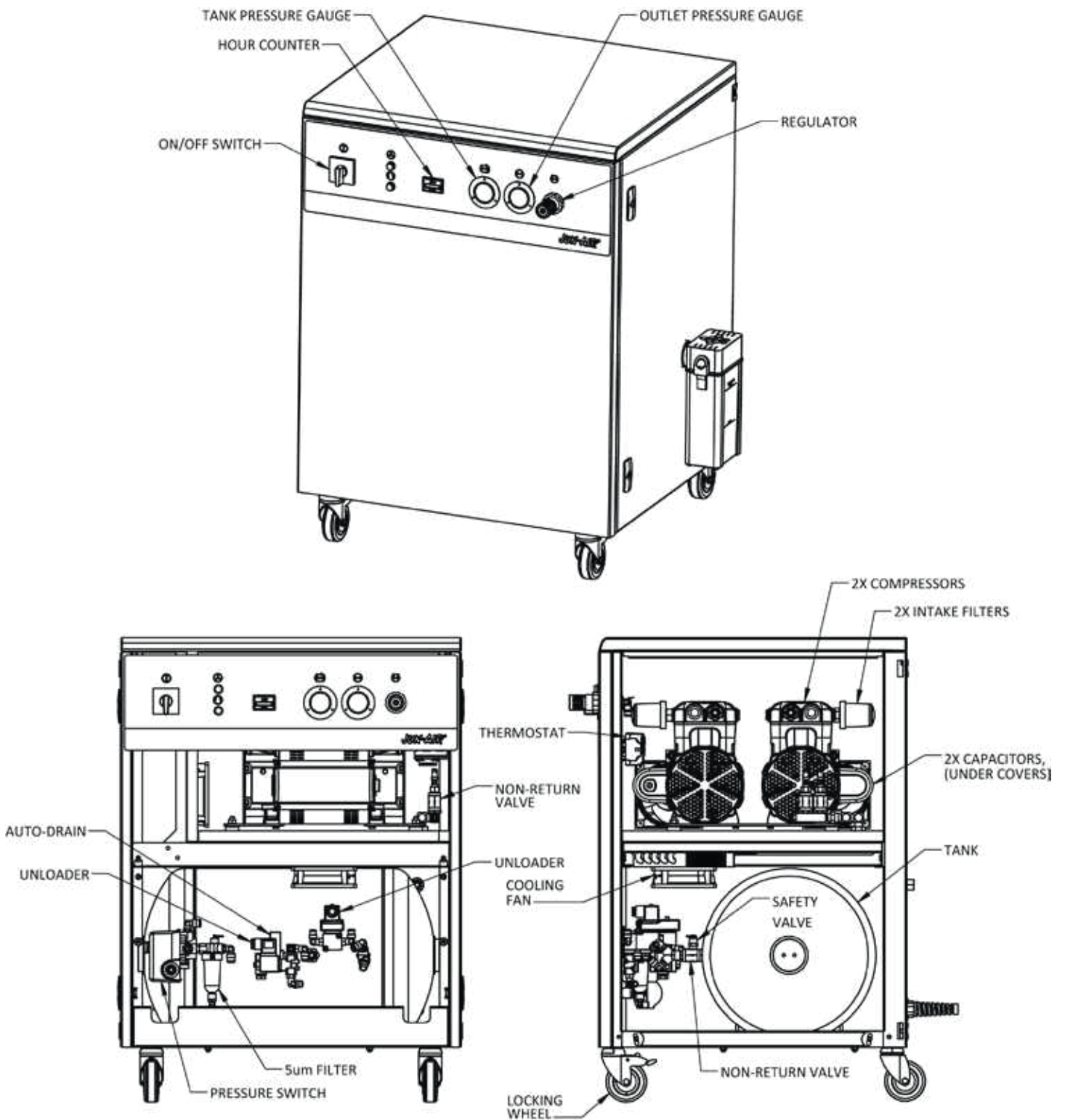
**Feature Diagram 106R-25M02 120 V**



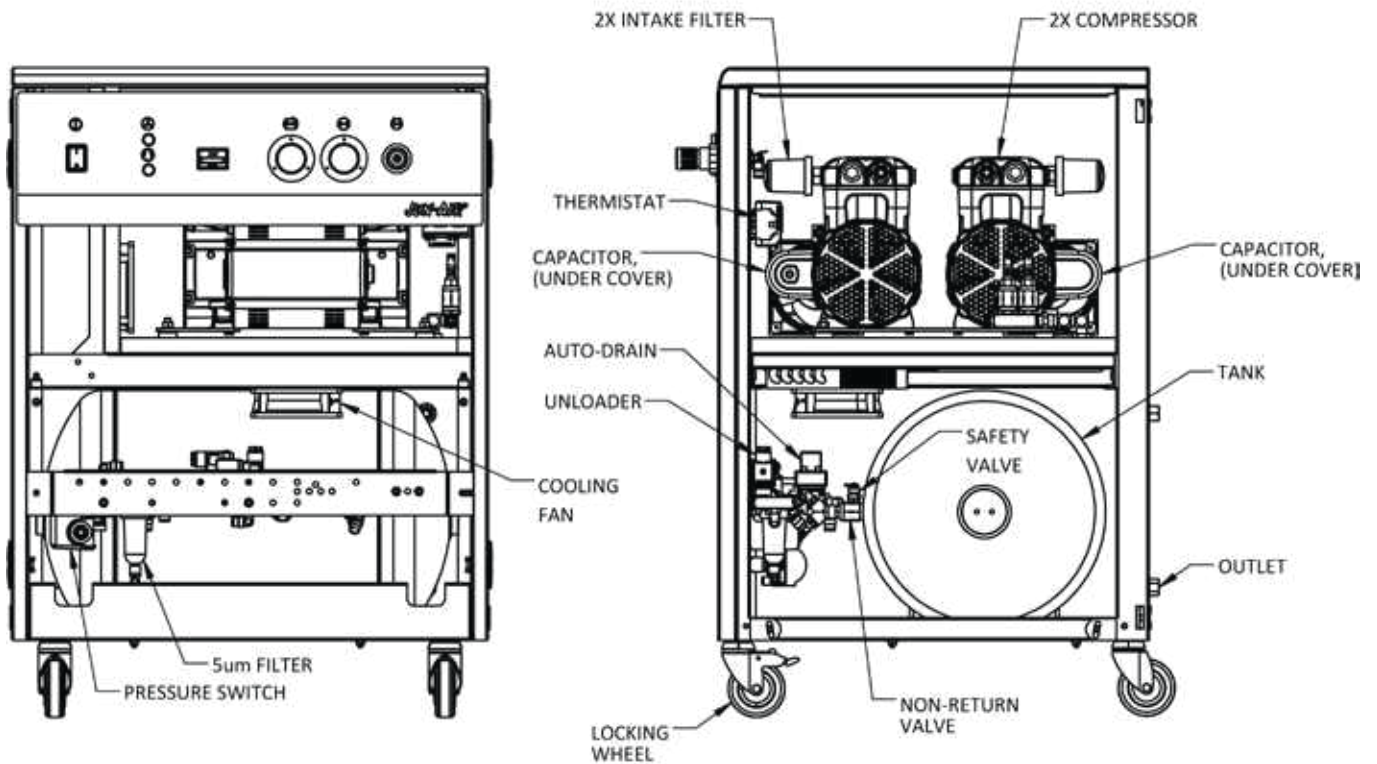
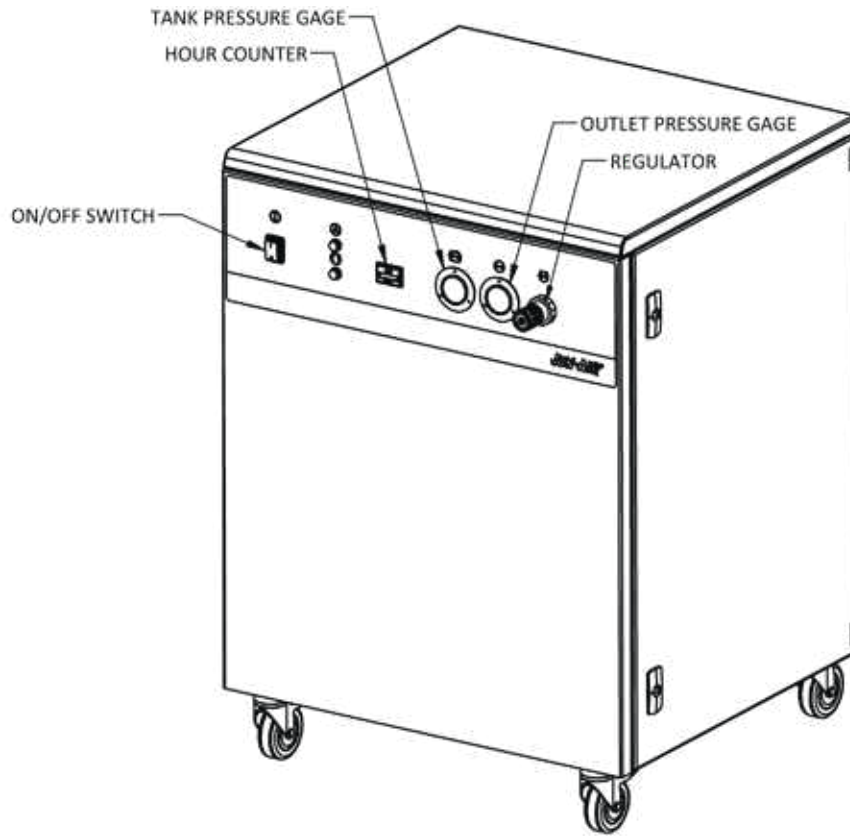
**Feature Diagram 106R-25M02 230 V**



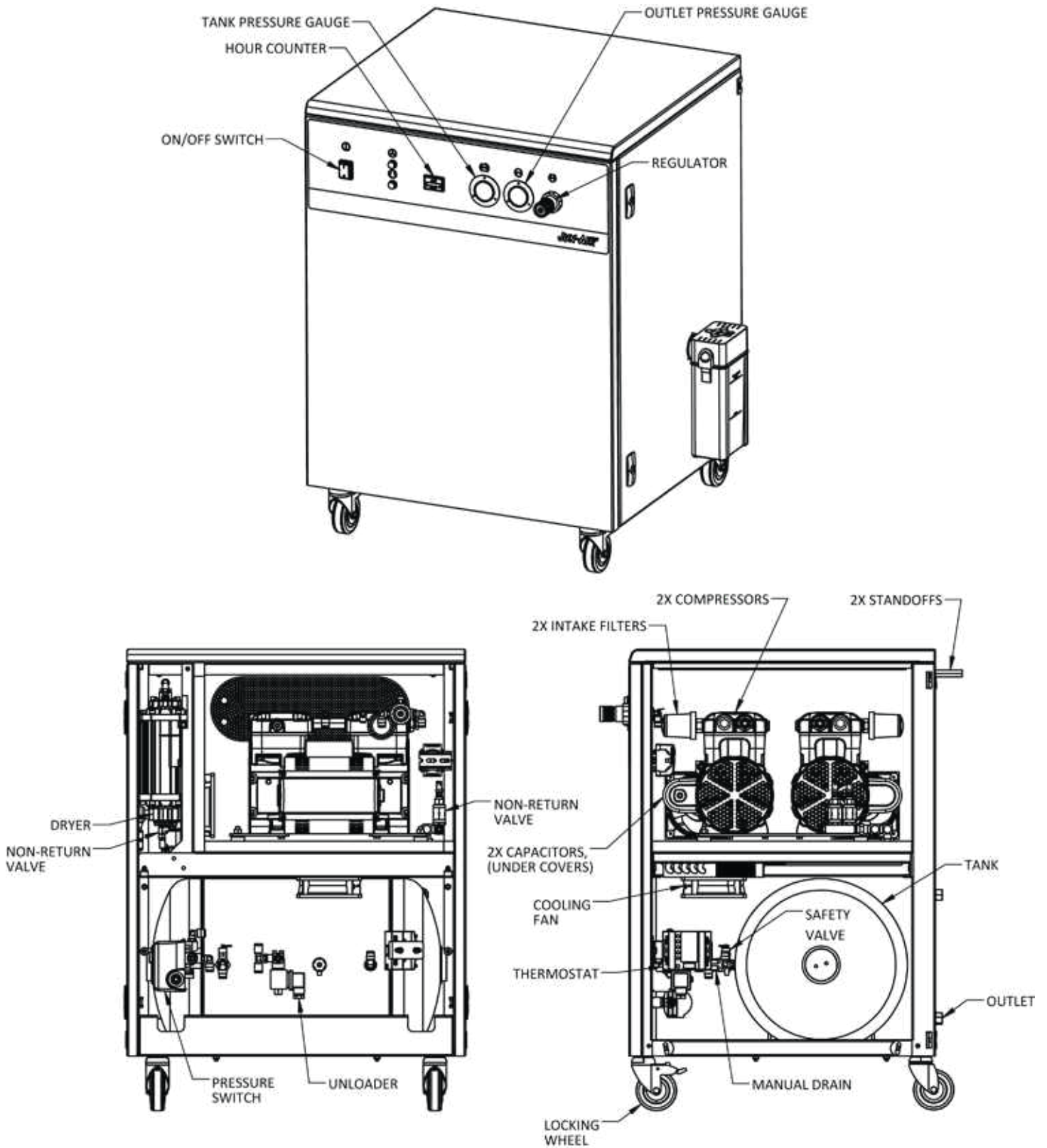
**Feature Diagram 2x106R-40M 120 V**



Feature Diagram 2x106R-40M 230 V



**Feature Diagram 2x106R-40M02**











## Symbols - Abbildungen - Symboler

The symbols found on the product and packing are explained below.

Folgende Abbildungen befinden sich an Produkt und Verpackung.

De symboler, der findes på produktet og på emballagen forklares i det følgende.

| Symbol  | English/GB<br>Description   | DE<br>Beschreibung  | DK<br>Forklaring  |
|---|---|---|---|
|    | Caution! Please refer to enclosed documentation   | Achtung! Beiliegende Hinweise beachten.                   | Bemærk! Se medfølgende dokumentation.   |
|    | Warning! Hot surfaces. Risk of burns. Do not touch the compressor head.                 | Achtung! Gefahr von Verbrennungen. Nicht berühren.        | Advarsel! Varm overflade. Risiko for forbrændinger. Rør ikke ved kompressorens overflade. |
|    | Keep dry. Do not expose to rain.  | Vor Feuchtigkeit und Nässe schützen                       | Hold tørt. Må ikke udsættes for regn.   |
|    | Transport and storage:<br>Temperature: -25°C to 55°C / -13°F to 131°F                   | Transport und Lagerung Temperatur: -25°C bis 55°C         | Transport og opbevaring:<br>Temperatur: -25°C to 55°C / -13°F to 131°F                    |
|    | Transport and storage: Relative humidity: max. 90%                                      | Transport und Lagerung Relative Luftfeuchtigkeit: max 90% | Transport og opbevaring: Relative humidity: max. 90%                                      |
|  | This side up.   | Oben  | Denne side op.  |
|  | This side up.   | Oben  | Denne side op.  |
|  | Fragile. Handle with care.  | Vorsicht, zerbrechlich.                                   | Håndter forsigtigt.   |
|   | Disposal in accordance with existing regulations for electric and electronic equipment. | Entsorgung nach Elektro- und Elektronikgerätegesetz.      | Bortskaffes i henhold til gældende regler for elektrisk og elektronisk udstyr.            |

**Gast Manufacturing**

2300 M139 Highway  
Benton Harbor, MI  
49023  
Ph: 269-926-6171  
Fax: 269-927-0808

**Gast Group Ltd.**

Gast Jun-Air Europe B.V  
Hengelderweg 24  
NL-6942 NB, Didam  
The Netherlands  
Phone +44(0)1527 504040

**IDEX Technology (Suzhou) Co., Ltd**

No.51 TangBang Road  
CaoHu Boulevard  
Xiang Cheng District  
Suzhou, China 215131  
Phone (86) 512 6283 3000

[www.JUN-AIR.com](http://www.JUN-AIR.com)

